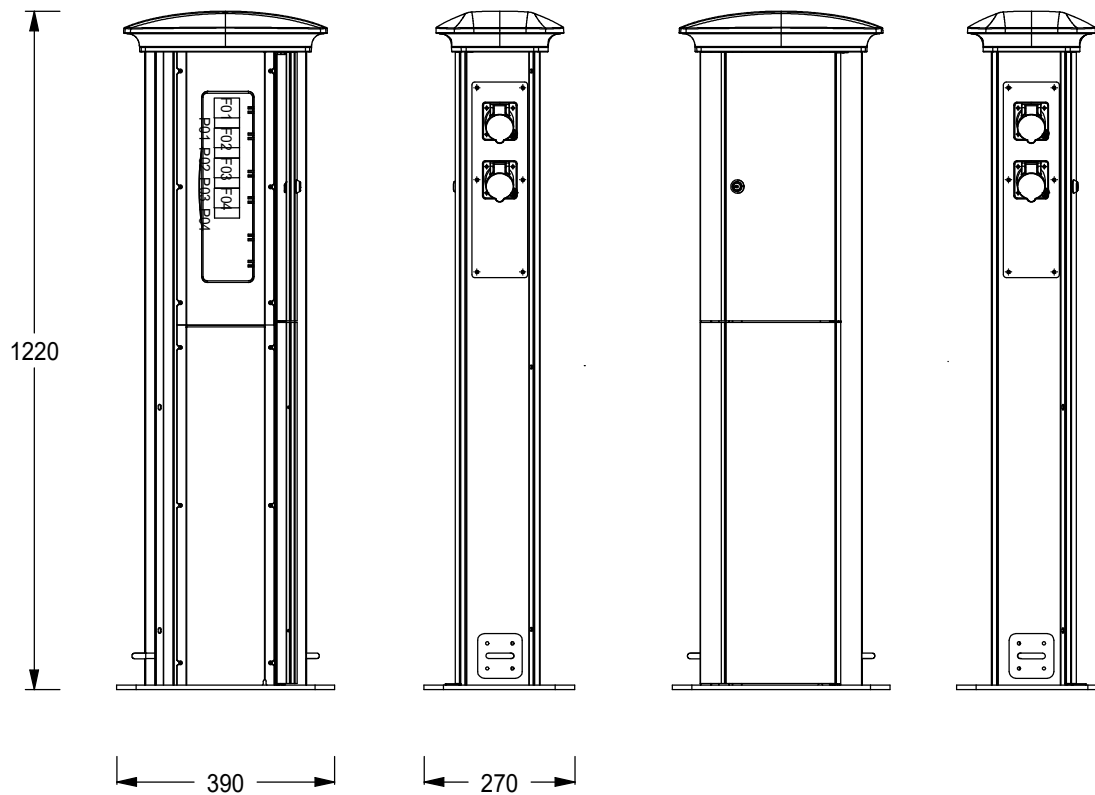


A B C D E F G H J K



ARTIKELNR./ ARTICLE NO. <b>EB10066</b>	
MÄRKSTRÖM/ CURRENT RATING <b>32 A</b>	
MEASURING EQUIPMENT	
CURR- TRAFO- SPACE	ENERGY- METER- SPACE
FAST ANSLUTNING/ FIXED CONNECTIONS <125A >125A	
CEE-OUTLETS 3-POLE/230V 16A 32A 63A 125A <b>4</b>	
SCHUKO OUTLETS 2-POLE/230V 16A	
CEE-OUTLETS 5-POLE/400V 16A 32A 63A 125A	
JFB/RCCB <0,03A >0,3A >0,03A & <0,3A <b>4</b>	
JFB/RCCB Variable	
VIKT/WEIGHT <b>21,5 kg</b>	

This drawing is property of El-Björn. May not be copied, shown or distributed without our written permission.

Alfa-II 32/(4)-4 EN Z



RITAD A/DRAWN BY <b>CG</b>	DATUM/DATE <b>170224</b>	NEXT SHEET <b>2</b>	SHEET <b>1</b>
SIGN	REVISION/ISSUE <b>A*</b>	RITINGS NR./DRAWING <b>EB10066</b>	

A

B

C

D

E

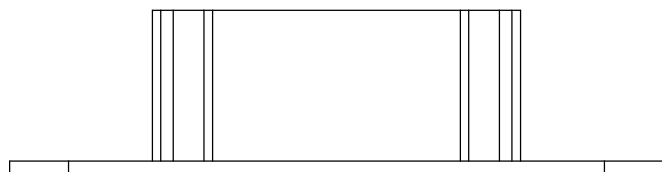
F

G

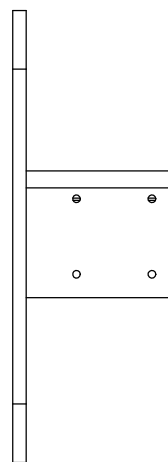
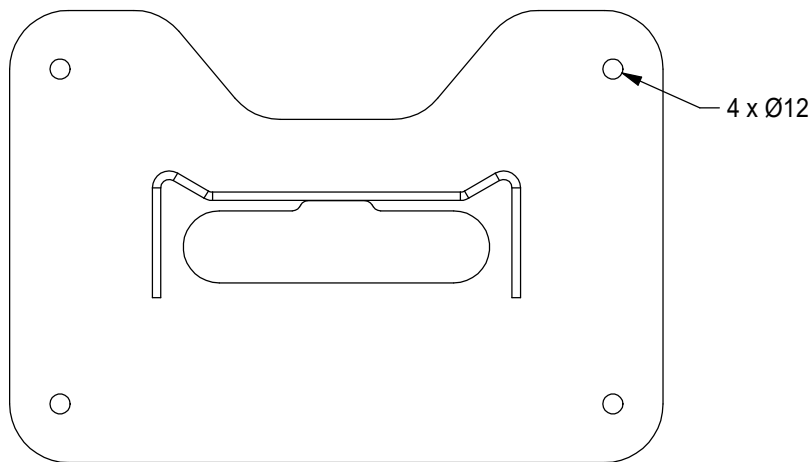
H

J

K



270  
200



330  
390

ARTIKELNR./

ARTICLE NO.

**EB10066**MÄRKSTRÖM/  
CURRENT RATING**32****A**MEASURING  
EQUIPMENTCURR-  
TRAFO-  
SPACEENERGY-  
METER-  
SPACEFAST ANSLUTNING/  
FIXED CONNECTIONS

&lt;125A

&gt;125A

CEE-OUTLETS  
3-POLE/230V

16A

32A

63A

125A

**4**SCHUKO OUTLETS  
2-POLE/230V

16A

CEE-OUTLETS  
5-POLE/400V

16A

32A

63A

125A

JFB/RCCB

&lt;0,03A

&gt;0,3A

>0,03A  
&  
<0,3A**4**

JFB/RCCB

Variable

VIKT/WEIGHT

**21,5****kg**

This drawing is property of El-Björn. May not be copied, shown or distributed without our written permission.

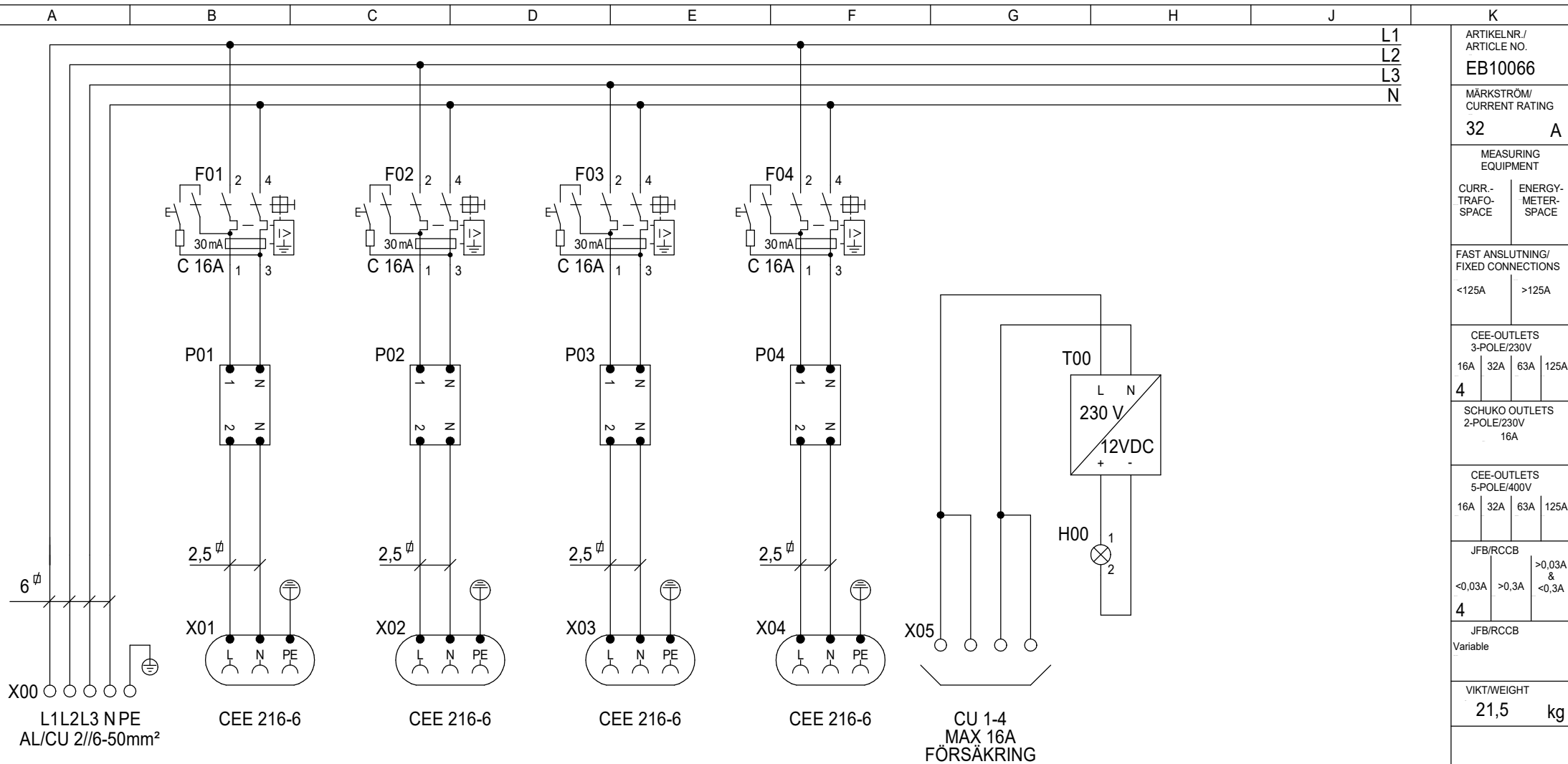
Alfa-II 32/(4)-4 EN Z

**EL-BJÖRN**   
www.elbjorn.com

RITAD A/DRAWN BY  
**CG**DATUM/DATE  
**170224**NEXT SHEET  
**3**SHEET  
**2**

SIGN

REVISION/ISSUE  
**A\***RITINGS NR./DRAWING  
**EB10066**



ARTIKELNR./  
ARTICLE NO.  
**EB10066**

MÄRKSTRÖM/  
CURRENT RATING  
**32 A**

MEASURING  
EQUIPMENT  
CURR.-  
TRAFO-  
SPACE ENERGY-  
METER-  
SPACE

FAST ANSLUTNING/  
FIXED CONNECTIONS  
<125A >125A

CEE-OUTLETS  
3-POLE/230V  
16A 32A 63A 125A  
**4**

SCHUKO OUTLETS  
2-POLE/230V  
16A

CEE-OUTLETS  
5-POLE/400V  
16A 32A 63A 125A

JFB/RCCB  
>0,03A &  
<0,3A >0,3A <0,3A  
**4**

JFB/RCCB  
Variable

VIKT/WEIGHT  
**21,5 kg**

This drawing is property of El-Björn. May not be copied, shown or distributed without our written permission.

Alfa-II 32/(4)-4 EN Z



RITAD AVDRÄVN BY CG	DATUMDATE 170224	NEXT SHEET 4	SHEET 3
SIGN	REVISION/ISSUE A*	RITINGS NR./DRAWING EB10066	

