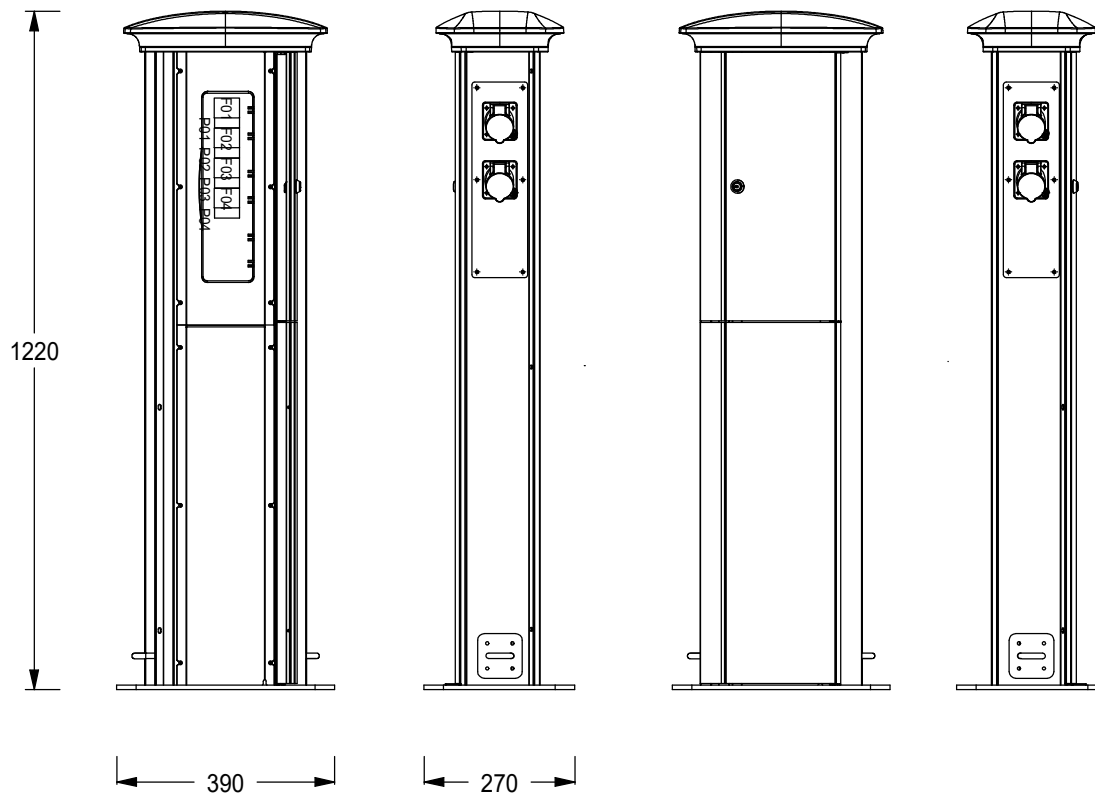


A B C D E F G H J K



ARTIKELNR./ ARTICLE NO. EB10068	
MÄRKSTRÖM/ CURRENT RATING 32 A	
MEASURING EQUIPMENT	
CURR- TRAFO- SPACE	ENERGY- METER- SPACE
FAST ANSLUTNING/ FIXED CONNECTIONS <125A	>125A
CEE OUTLETS 3-POLE/230V 16A 4	
CEE-OUTLETS 4-POLE/230V	
16A	32A 63A 125A
JFB/RCCB	
<0,03A	>0,3A & <0,3A
4	
JFB/RCCB <0,1A Variable	
VIKT/WEIGHT 21,5 kg	

This drawing is property of El-Björn. May not be copied, shown or distributed without our written permission.

Alfa-II 230/(4)-4 EN Z



RITAD A/DRAWN BY CG	DATUM/DATE 170307	NEXT SHEET 2	SHEET 1
SIGN	REVISION/ISSUE A*	RITINGS NR./DRAWING EB10068	

A

B

C

D

E

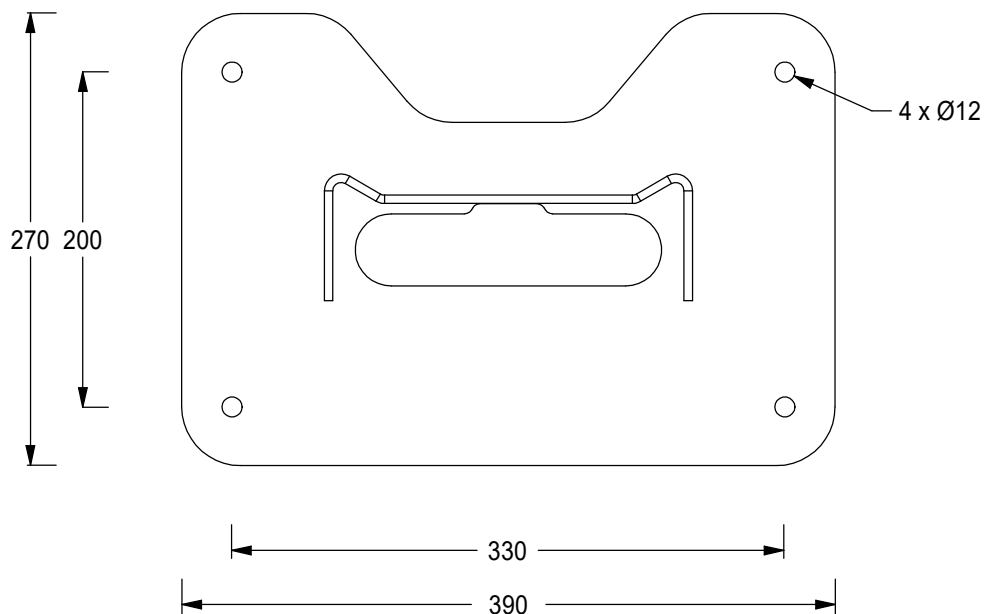
F

G

H

J

K



ARTIKELNR./

ARTICLE NO.

EB10068MÄRKSTRÖM/
CURRENT RATING**32****A**MEASURING
EQUIPMENTCURR -
TRAFO -
SPACEENERGY -
METER -
SPACEFAST ANSLUTNING/
FIXED CONNECTIONS

<125A

>125A

CEE OUTLETS
3-POLE/230V
16A**4**CEE-OUTLETS
4-POLE/230V

16A

32A

63A

125A

JFB/RCCB

<0,03A

>0,3A

>0,03A
&
<0,3A**4**

JFB/RCCB

<0,1A

Variable

VIKT/WEIGHT

21,5**kg**

This drawing is property of El-Björn. May not be copied, shown or distributed without our written permission.

Alfa-II 230/(4)-4 EN Z

EL-BJÖRN
www.elbjorn.com

RITAD A/DRAWN BY

CG

DATUM/DATE

170307

NEXT SHEET

3

SHEET

2

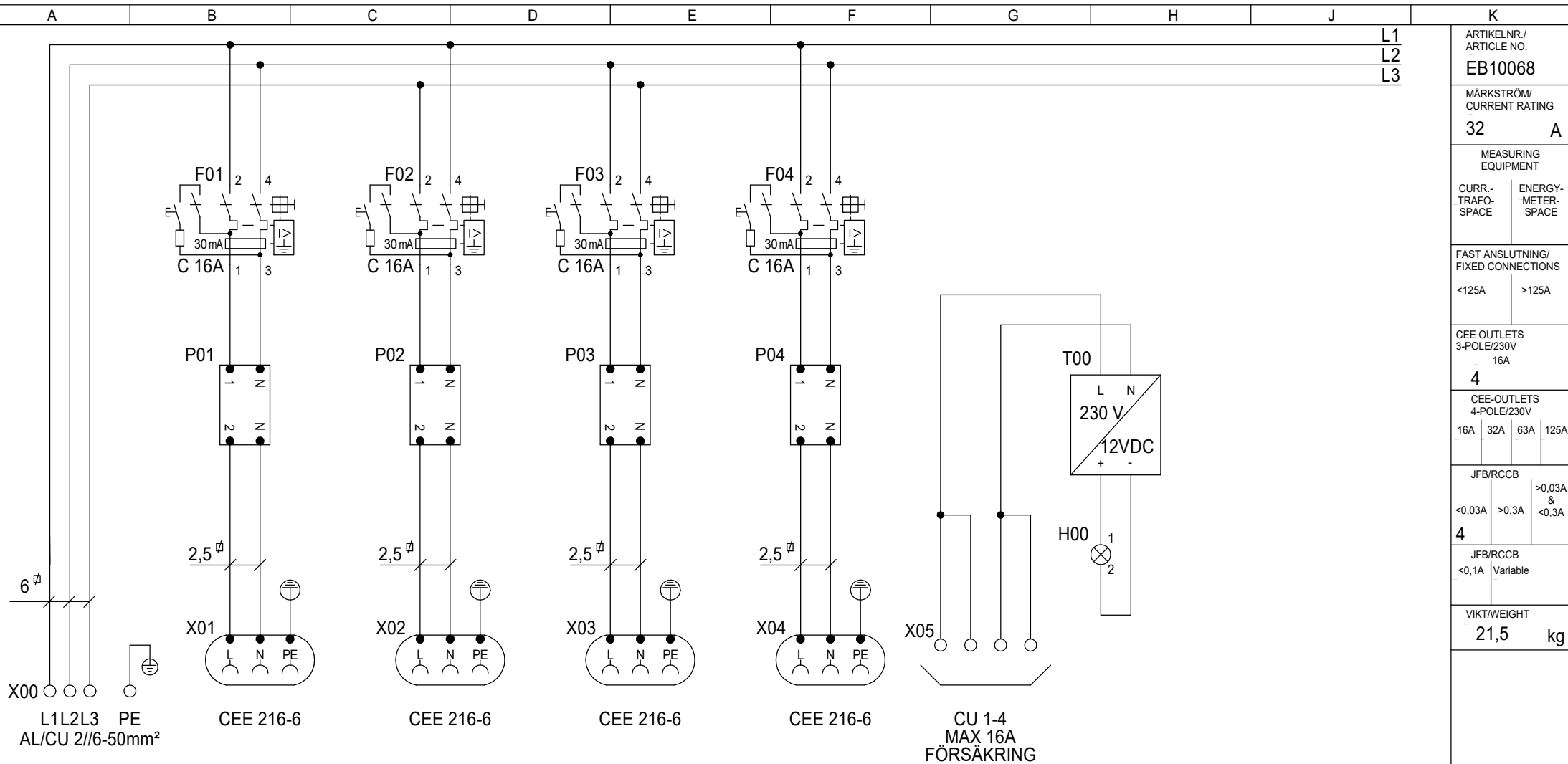
SIGN

REVISION/ISSUE

A*

RITNING NR./DRAWING

EB10068



ARTIKELNR./ ARTICLE NO. EB10068	
MÄRKSTRÖM/ CURRENT RATING 32 A	
MEASURING EQUIPMENT	
CURR.- TRAFO- SPACE	ENERGY- METER- SPACE
FAST ANSLUTNING/ FIXED CONNECTIONS	
<125A	>125A
CEE OUTLETS 3-POLE/230V 16A	
4	
CEE-OUTLETS 4-POLE/230V	
16A	32A 63A 125A
JFB/RCCB	
<0,03A	>0,3A & <0,3A
4	
JFB/RCCB	
<0,1A	Variable
VIKT/WEIGHT	
21,5	kg

This drawing is property of El-Björn. May not be copied, shown or distributed without our written permission.

Alfa-II 230/(4)-4 EN Z



RITAD A/DRAWN BY CG	DATUM/DATE 170307	NEXT SHEET 4	SHEET 3
SIGN	REVISION/ISSUE A*	RITINGS NR./DRAWING EB10068	

