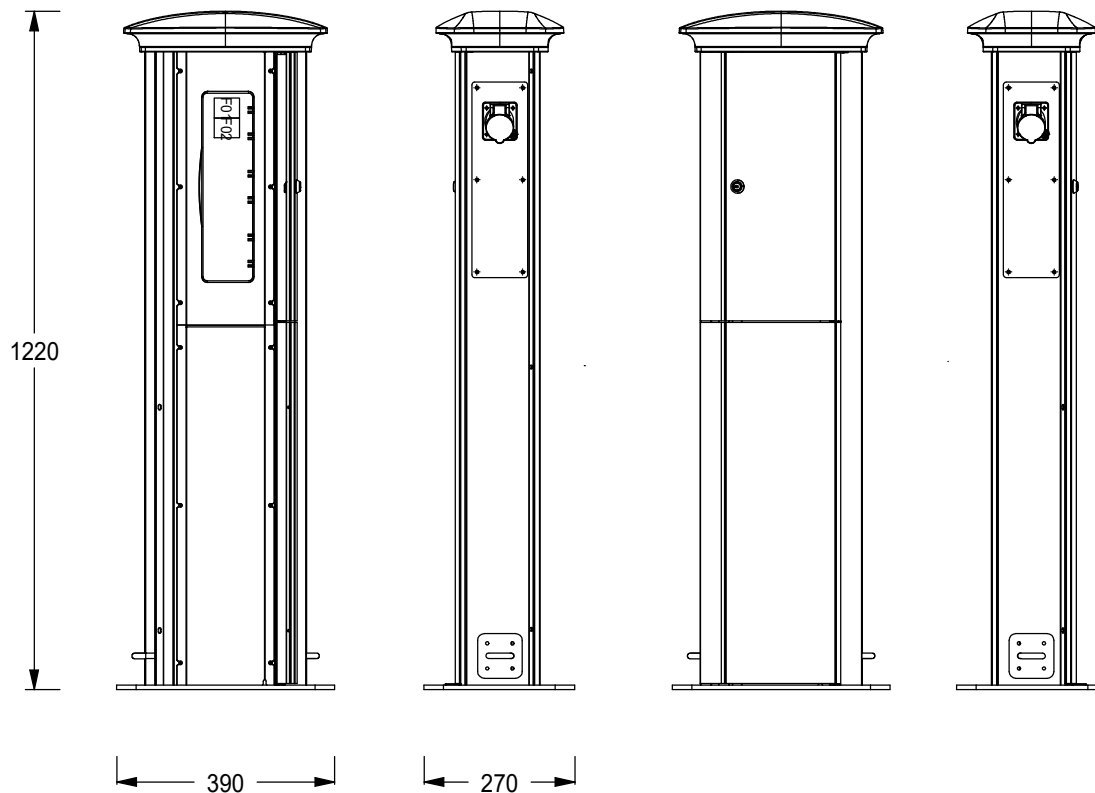


A B C D E F G H J K



ARTIKELNR./ ARTICLE NO. <b>EB10084</b>	
MÄRKSTRÖM/ CURRENT RATING <b>32 A</b>	
MEASURING EQUIPMENT	
CURR - TRAFO- SPACE	ENERGY- METER- SPACE
FAST ANSLUTNING/ FIXED CONNECTIONS <125A   >125A	
CEE OUTLETS 3-POLE/230V 16A <b>2</b>	
CEE-OUTLETS 4-POLE/230V 16A   32A   63A   125A	
JFB/RCCB <0,03A   >0,3A   >0,03A & <0,3A <b>2</b>	
JFB/RCCB <0,1A   Variable	
VIKT/WEIGHT <b>21,5 kg</b>	

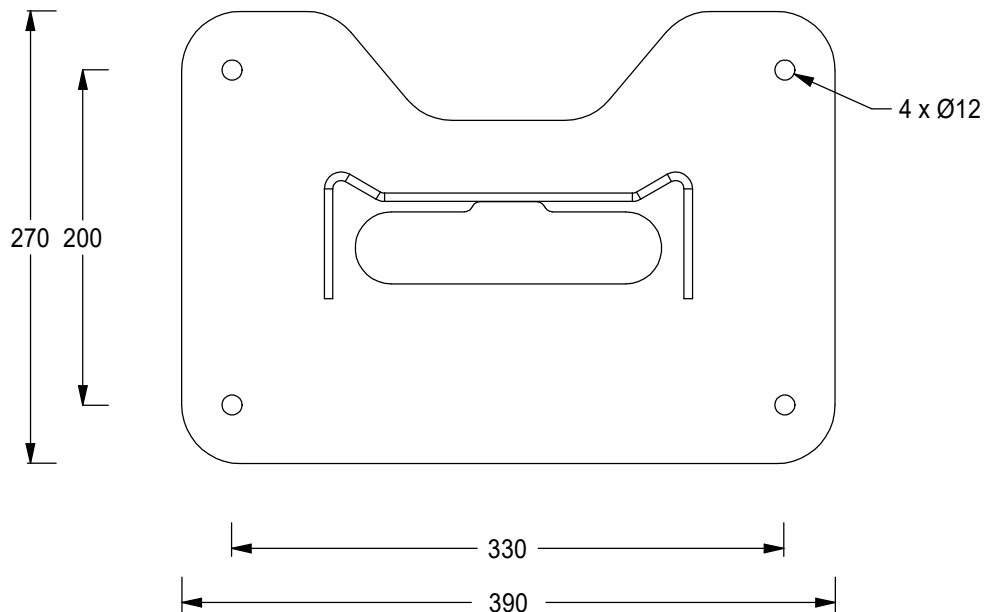
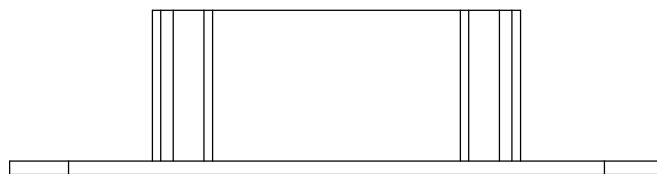
This drawing is property of El-Björn. May not be copied, shown or distributed without our written permission.

Alfa-II 230/(2)-2 EN



RITAD A/DRAWN BY <b>CG</b>	DATUM/DATE <b>170307</b>	NEXT SHEET <b>2</b>	SHEET <b>1</b>
SIGN	REVISION/ISSUE <b>A*</b>	RITINGS NR./DRAWING <b>EB10084</b>	

A B C D E F G H J K



ARTIKELNR./  
ARTICLE NO.  
**EB10084**

MÄRKSTRÖM/  
CURRENT RATING  
**32 A**

MEASURING  
EQUIPMENT

CURR- TRAFO- SPACE	ENERGY- METER- SPACE
--------------------------	----------------------------

FAST ANSLUTNING/  
FIXED CONNECTIONS

<125A	>125A
-------	-------

CEE OUTLETS  
3-POLE/230V  
16A  
**2**

CEE-OUTLETS  
4-POLE/230V

16A	32A	63A	125A
-----	-----	-----	------

JFB/RCCB

<0,03A	>0,3A	>0,03A & <0,3A
--------	-------	----------------------

**2**

JFB/RCCB

<0,1A	Variable
-------	----------

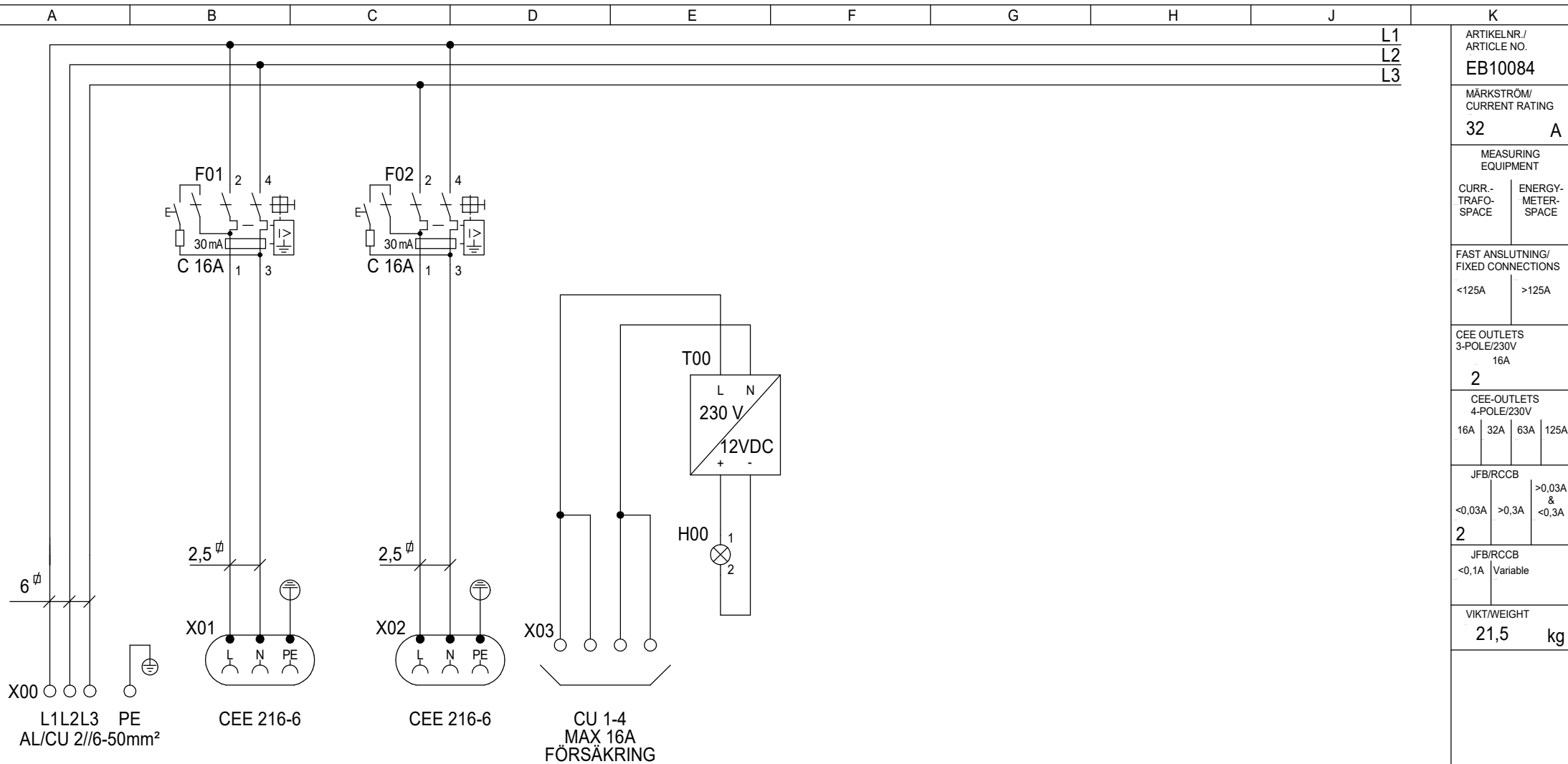
VIKT/WEIGHT  
**21,5 kg**

This drawing is property of El-Björn. May not be copied, shown or distributed without our written permission.

Alfa-II 230/(2)-2 EN



RITAD A/DRAWN BY <b>CG</b>	DATUM/DATE <b>170307</b>	NEXT SHEET <b>3</b>	SHEET <b>2</b>
SIGN	REVISION/ISSUE <b>A*</b>	RITINGS NR./DRAWING <b>EB10084</b>	



L1  
L2  
L3

ARTIKELNR./  
ARTICLE NO.  
**EB10084**

MÄRKSTRÖM/  
CURRENT RATING  
**32 A**

MEASURING  
EQUIPMENT  
CURR-  
TRAFO-  
SPACE ENERGY-  
METER-  
SPACE

FAST ANSLUTNING/  
FIXED CONNECTIONS  
<125A >125A

CEE OUTLETS  
3-POLE/230V  
16A  
**2**

CEE-OUTLETS  
4-POLE/230V  
16A 32A 63A 125A

JFB/RCCB  
<0,03A >0,3A >0,03A & <0,3A  
**2**

JFB/RCCB  
<0,1A Variable

VIKT/WEIGHT  
**21,5 kg**

This drawing is property of El-Björn. May not be copied, shown or distributed without our written permission.

Alfa-II 230/(2)-2 EN



RITAD A/DRAWN BY <b>CG</b>	DATUM/DATE <b>170307</b>	NEXT SHEET <b>4</b>	SHEET <b>3</b>
SIGN	REVISION/ISSUE <b>A*</b>	RITINGS NR./DRAWING <b>EB10084</b>	

