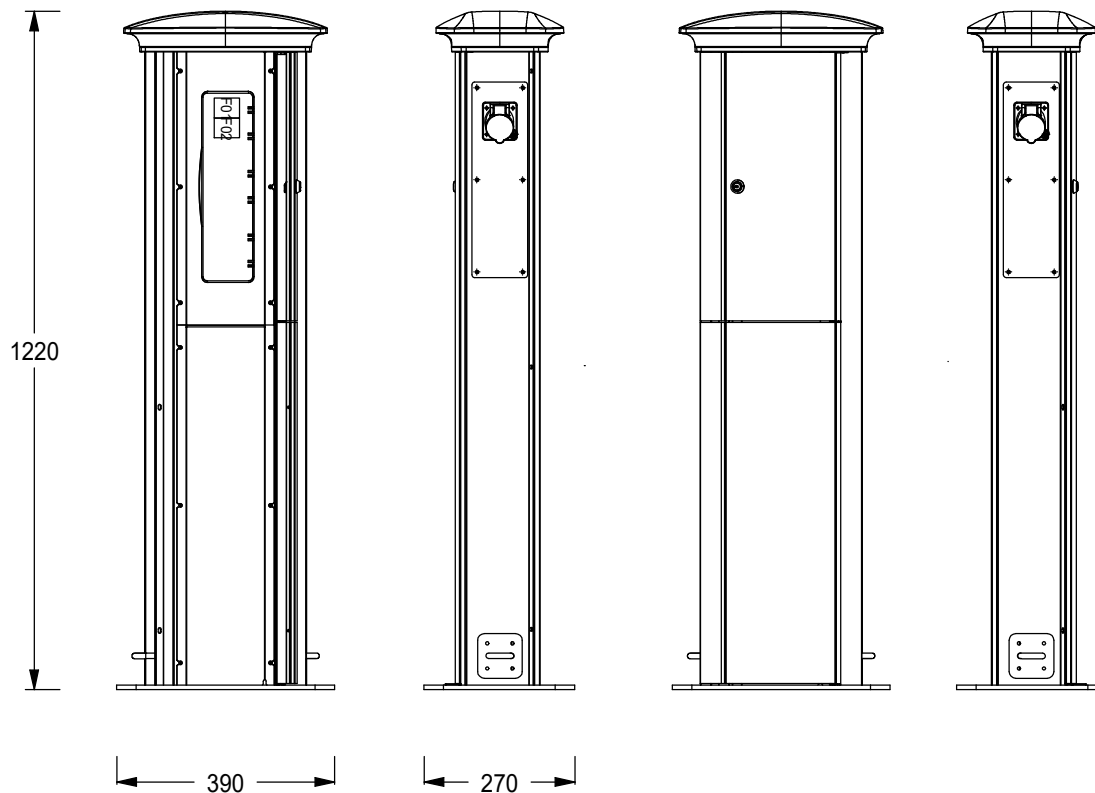


A B C D E F G H J K



ARTIKELNR./  
ARTICLE NO.  
**EB10082**

MÄRKSTRÖM/  
CURRENT RATING  
**32 A**

MEASURING  
EQUIPMENT  
CURR -  
TRAFO-  
SPACE ENERGY-  
METER-  
SPACE

FAST ANSLUTNING/  
FIXED CONNECTIONS  
<125A >125A

CEE-OUTLETS  
3-POLE/230V  
16A 32A 63A 125A  
**2**

SCHUKO OUTLETS  
2-POLE/230V  
16A

CEE-OUTLETS  
5-POLE/400V  
16A 32A 63A 125A

JFB/RCCB  
<0,03A >0,3A >0,03A & <0,3A  
**2**

JFB/RCCB  
Variable

VIKT/WEIGHT  
**21,5 kg**

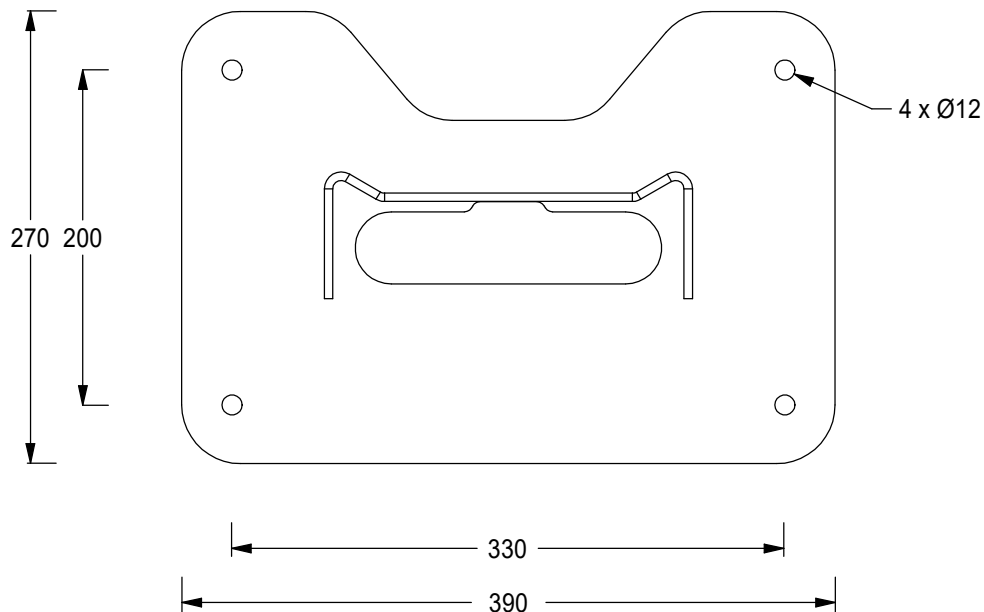
This drawing is property of El-Björn. May not be copied, shown or distributed without our written permission.

Alfa-II 400/(2)-2 EN



RITAD A/DRAWN BY <b>CG</b>	DATUM/DATE <b>170307</b>	NEXT SHEET <b>2</b>	SHEET <b>1</b>
SIGN	REVISION/ISSUE <b>A*</b>	RITINGS NR./DRAWING <b>EB10082</b>	

A B C D E F G H J K



ARTIKELNR./  
ARTICLE NO.  
**EB10082**

MÄRKSTRÖM/  
CURRENT RATING  
**32 A**

MEASURING  
EQUIPMENT  
CURR-  
TRAFO-  
SPACE ENERGY-  
METER-  
SPACE

FAST ANSLUTNING/  
FIXED CONNECTIONS  
<125A >125A

CEE-OUTLETS  
3-POLE/230V  
16A 32A 63A 125A  
**2**

SCHUKO OUTLETS  
2-POLE/230V  
16A

CEE-OUTLETS  
5-POLE/400V  
16A 32A 63A 125A

JFB/RCCB  
<0,03A >0,3A >0,03A & <0,3A  
**2**

JFB/RCCB  
Variable

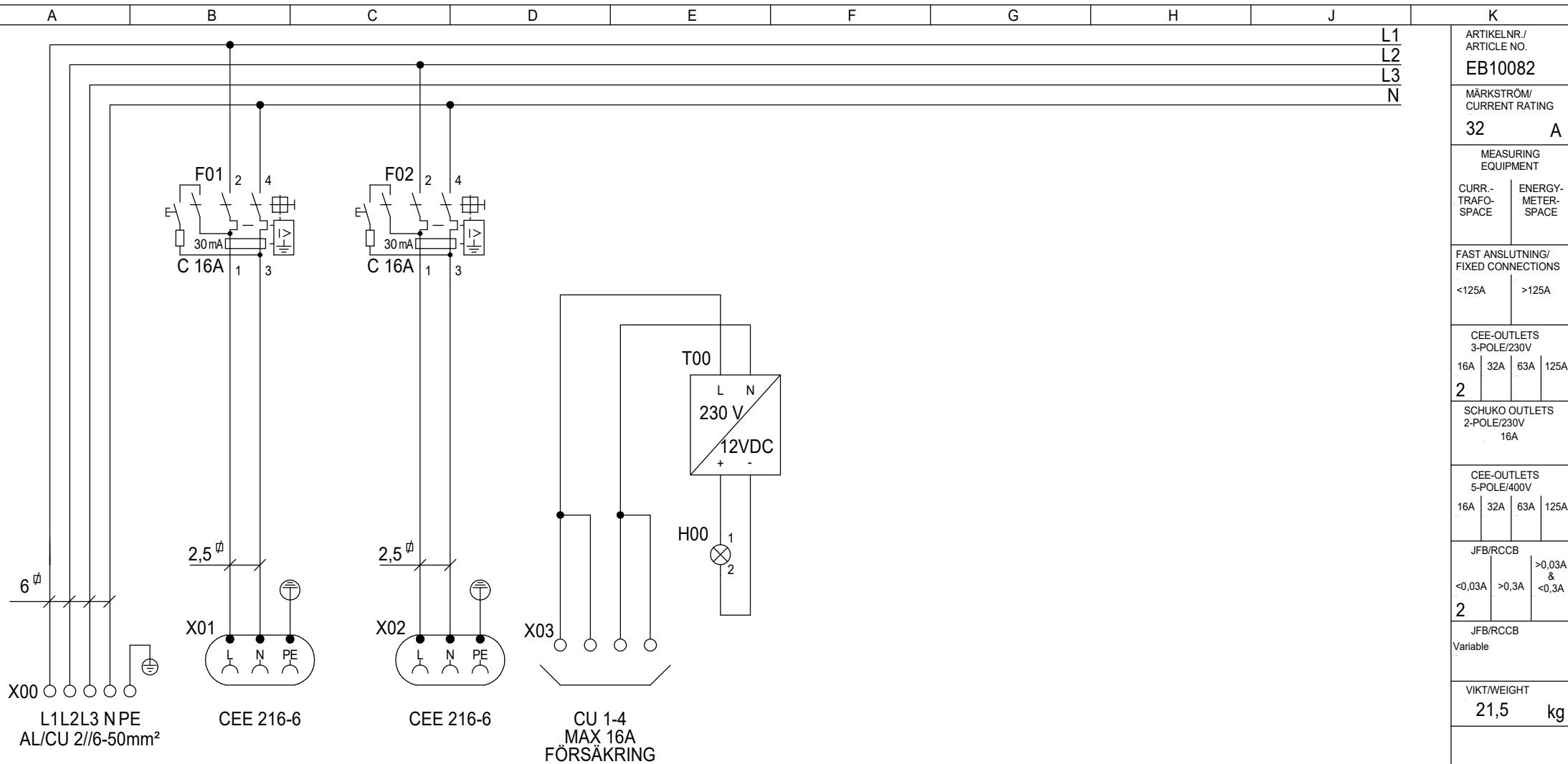
VIKT/WEIGHT  
**21,5 kg**

This drawing is property of El-Björn. May not be copied, shown or distributed without our written permission.

Alfa-II 400/(2)-2 EN



RITAD A/DRAWN BY <b>CG</b>	DATUM/DATE <b>170307</b>	NEXT SHEET <b>3</b>	SHEET <b>2</b>
SIGN	REVISION/ISSUE <b>A*</b>	RITINGS NR./DRAWING <b>EB10082</b>	



ARTIKELNR./ ARTICLE NO. <b>EB10082</b>	
MÄRKSTRÖM/ CURRENT RATING <b>32 A</b>	
MEASURING EQUIPMENT	
CURR- TRAFO- SPACE	ENERGY- METER- SPACE
FAST ANSLUTNING/ FIXED CONNECTIONS <125A   >125A	
CEE-OUTLETS 3-POLE/230V 16A   32A   63A   125A <b>2</b>	
SCHUKO OUTLETS 2-POLE/230V 16A	
CEE-OUTLETS 5-POLE/400V 16A   32A   63A   125A	
JFB/RCCB <0,03A   >0,3A	>0,03A & <0,3A
<b>2</b>	
JFB/RCCB Variable	
VIKT/WEIGHT <b>21,5 kg</b>	

This drawing is property of El-Björn. May not be copied, shown or distributed without our written permission.

Alfa-II 400/(2)-2 EN



RITAD A/DRAWN BY <b>CG</b>	DATUM/DATE <b>170307</b>	NEXT SHEET <b>4</b>	SHEET <b>3</b>
SIGN	REVISION/ISSUE <b>A*</b>	RITNING NR./DRAWING <b>EB10082</b>	

