

ATEX Cable Reel

Zones: 1 and 2



Product Overview

The Wolf ATEX Cable reel is CE marked to the 2014/34/EU ATEX Equipment Directive for safe use in Zone 1 (Cat 2) IIC, where a T6 temperature class permits.

Operating from 230V or 110V, the cable reel allows for a number of different lighting solutions to suit many scenarios. Using various configurations of the Wolf LinkEx™ LED Temporary Luminaire, Wolf LinkEx™ LED Floodlite and other cable powered products from the temporary lighting range, the cable reel enables a bespoke set up of task and ambient lighting.

The cable reel facilitates chains of lighting in different areas to be linked together and extended from one central point, allowing for a greater surface area to be illuminated quickly and easily. An added benefit of the cable reel is the ability to power ancillary equipment alongside lighting for maintenance type tasks offering a fully flexible solution.

Built to the same high standards as the Wolf Safety transformers, the cable reel is robust and compact ensuring that it can withstand the harshest of environments and is always ready for use.

Features & Benefits

- ATEX Approved for Zone 1 explosive Gas atmospheres
- Compact and solid hard rubber reel body with flat steel frame
- Internal brake which does not produce friction on reel body
- Fitted with ATX and CEAG plugs and sockets with 30m HOFR cable
- 110V or 230V Input Voltage available
- Facilitates maintenance tasks
- Alternative voltage, plugs and sockets available on request
- Fully compatible with Wolf Safety's Temporary Lighting Solutions

Certifications

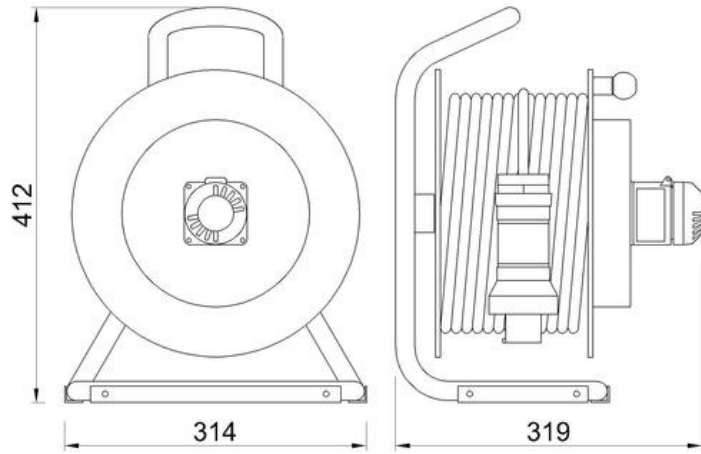


Technical Specification

Product Reference	LL-300			
Product Description	ATEX Cable Reel			
Code	II 2 G Ex de IIC* T6			
Type of Protection	"e" increased safety "d" flameproof			
Classification (Gas)	Zones 1 & 2 Gas Groups IIA, IIB IIC*			
Temperature Class (Gas)	T6			
Ambient Temperature	-20° C to +40° C			
Certificate	PTB03ATEX1186			
Model Number:	LL-300/ 110/ATX	LL-300/ 230/ATX	LL-300/ 110/CEAG	LL-300/ 230/CEAG
Voltage and Sockets/Plugs	110V	230V	110V	230V
	ATX		CEAG	
Input Cable	30m HOFR cable 2.5mm ²			
Size	412mm x 314mm x 319mm (Height x Width x Length)			
Weight	11.9Kg (with 30m cable)		12Kg (with 30m cable)	
Ingress Protection	IP54			
Power Rating	110V 450W (wound) / 1700W (unwound) 230V 1000W (wound) / 3600W (unwound)			

- *Use of the cable reel for the explosion group IIC is only permitted if the cable reel is connected to the supply before connecting to the output socket or the cable reel is on a dissipative floor or dissipative and grounded base. Otherwise, the cable reel can only be used for explosion groups IIA and IIB in Zones 1 and 2.
- All information has been gathered under laboratory conditions, the user must regard the values given as approximate.
- Changes may be made to the above specification without notification, details are available on request.

Product Dimensions



Version: SL053 Issue 1



Wolf Safety Lamp Company, Saxon Road Works, Sheffield, S8 0YA, UK

- T: +44 (0) 114 255 1051 • F: +44 (0) 114 255 7988
- E: info@wolfsafety.com • www.wolfsafety.com

