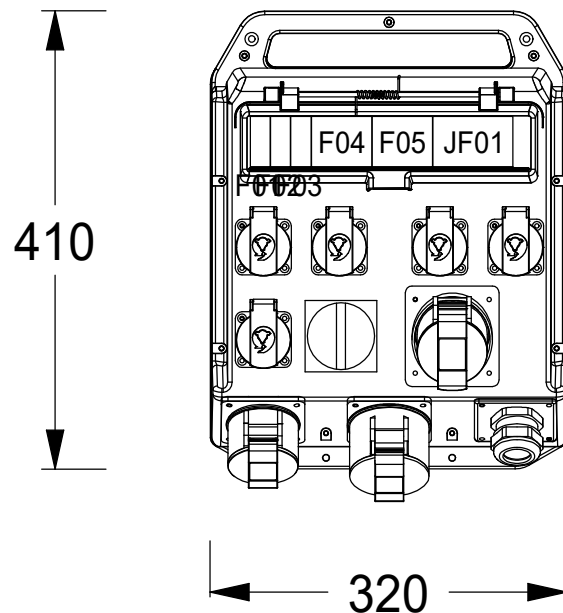


A B C D E F G H J K



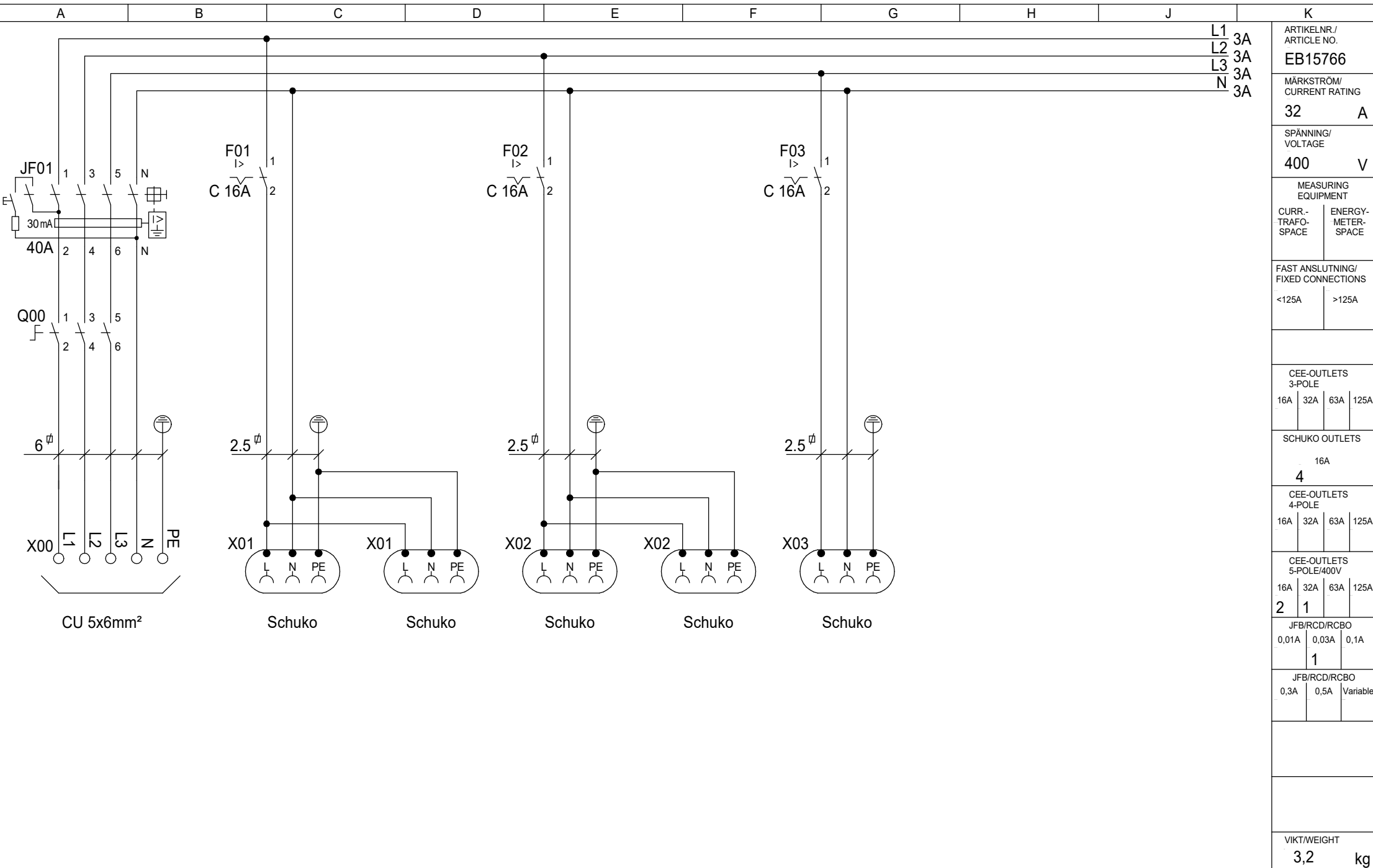
ARTIKELNR./ ARTICLE NO. EB15766	
MÄRKSTRÖM/ CURRENT RATING 32 A	
SPÄNNING/ VOLTAGE 400 V	
MEASURING EQUIPMENT	
CURR.- TRAFO- SPACE	ENERGY- METER- SPACE
FAST ANSLUTNING/ FIXED CONNECTIONS <125A >125A	
CEE-OUTLETS 3-POLE	
16A	32A 63A 125A
SCHUKO OUTLETS	
16A	
4	
CEE-OUTLETS 4-POLE	
16A	32A 63A 125A
CEE-OUTLETS 5-POLE/400V	
16A	32A 63A 125A
2	1
JFB/RCD/RCBO	
0,01A	0,03A 0,1A
1	
JFB/RCD/RCBO	
0,3A	0,5A Variable
VIKT/WEIGHT	
3,2 kg	

This drawing is property of El-Björn. May not be copied, shown or distributed without our written permission.

SF 32MIDI//421-1 EN



RITAD AV/DRAWN BY CG	DATUM/DATE 210512	NEXT SHEET 2	SHEET 1
SIGN	REVISION/ISSUE A	RITNINGS NR./DRAWING EB15766	



L1 3A
L2 3A
L3 3A
N 3A

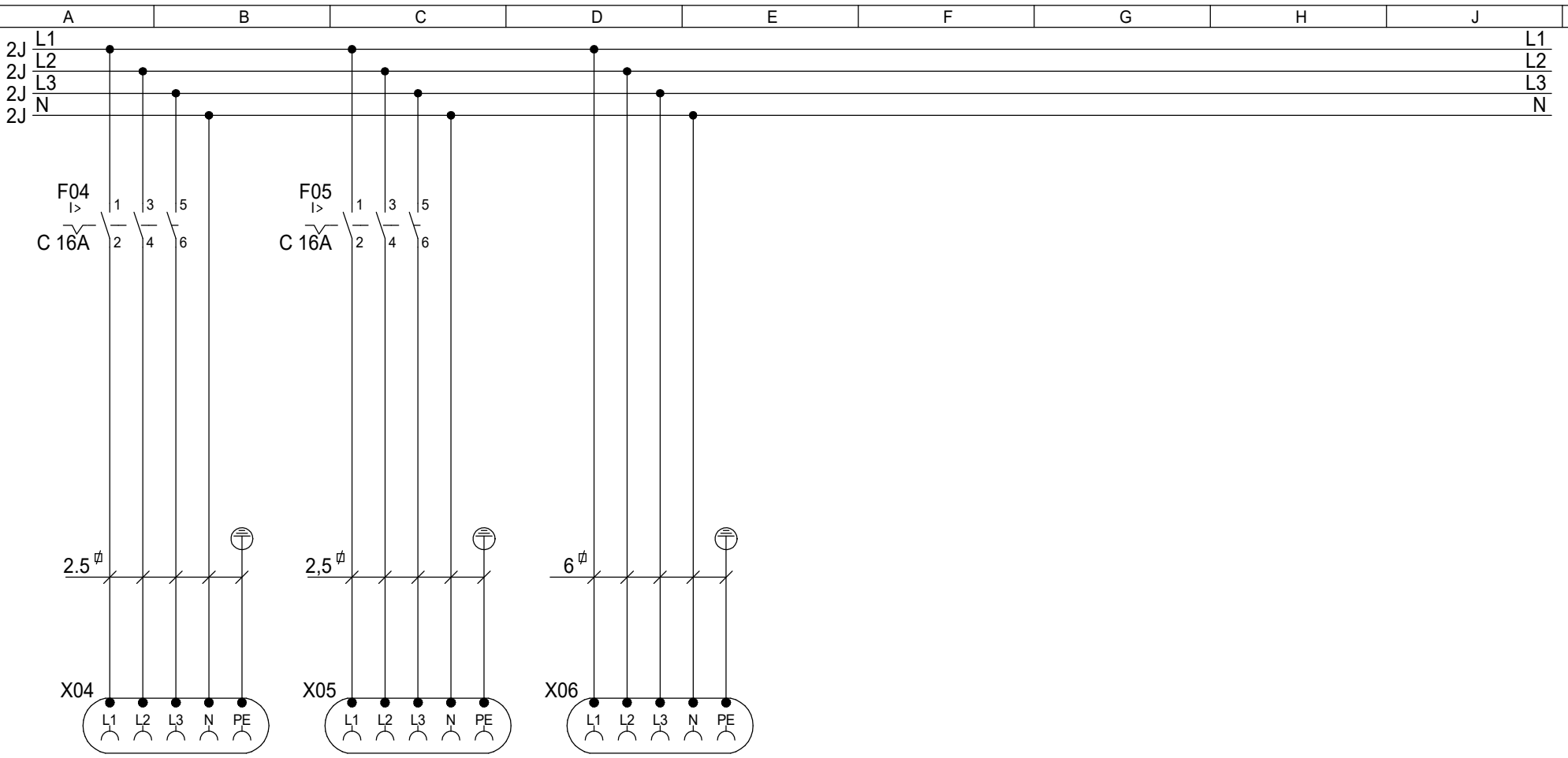
ARTIKELNR./ ARTICLE NO.		EB15766	
MÄRKSTRÖM/ CURRENT RATING		32	A
SPÄNNING/ VOLTAGE		400	V
MEASURING EQUIPMENT			
CURR.- TRAFO- SPACE	ENERGY- METER- SPACE		
FAST ANSLUTNING/ FIXED CONNECTIONS			
<125A		>125A	
CEE-OUTLETS 3-POLE			
16A	32A	63A	125A
SCHUKO OUTLETS			
16A			
4			
CEE-OUTLETS 4-POLE			
16A	32A	63A	125A
2	1		
CEE-OUTLETS 5-POLE/400V			
16A	32A	63A	125A
2	1		
JFB/RCD/RCBO			
0,01A	0,03A	0,1A	
1			
JFB/RCD/RCBO			
0,3A	0,5A	Variable	
VIKT/WEIGHT			
3,2		kg	

This drawing is property of El-Björn. May not be copied, shown or distributed without our written permission.

SF 32MIDI//421-1 EN



RITAD AV/DRAWN BY	DATUM/DATE	NEXT SHEET	SHEET
CG	210512	3	2
SIGN	REVISION/ISSUE	RITNING NR./DRAWING	
	A	EB15766	



CEE 416-6

CEE 416-6

CEE 432-6

ARTIKELNR./ ARTICLE NO.		EB15766	
MÄRKSTRÖM/ CURRENT RATING		32	A
SPÄNNING/ VOLTAGE		400	V
MEASURING EQUIPMENT			
CURR.- TRAFO- SPACE	ENERGY- METER- SPACE		
FAST ANSLUTNING/ FIXED CONNECTIONS			
<125A		>125A	
CEE-OUTLETS 3-POLE			
16A	32A	63A	125A
SCHUKO OUTLETS			
16A			
4			
CEE-OUTLETS 4-POLE			
16A	32A	63A	125A
2	1		
CEE-OUTLETS 5-POLE/400V			
16A	32A	63A	125A
2	1		
JFB/RCD/RCBO			
0,01A	0,03A	0,1A	
1			
JFB/RCD/RCBO			
0,3A	0,5A	Variable	
VIKT/WEIGHT			
3,2		kg	

This drawing is property of El-Björn. May not be copied, shown or distributed without our written permission.

SF 32MIDI//421-1 EN



RITAD AV/DRAWN BY	DATUM/DATE	NEXT SHEET	SHEET
CG	210512	4	3
SIGN	REVISION/ISSUE	RITNINGS NR./DRAWING	
	A	EB15766	

PC.	Position	Description	Type	Manufacturer	Data	Article No.	E-number(SE)
1	-	Underdel	Midi	EI-Björn AB	410x320x115mm	126000	
1		Överdel	Midi	EI-Björn AB	6-Schuko	126002	
1		Säkringslock	Midi	EI-Björn AB	14mod	126016	
1		Fjäder	Säkringslock	EI-Björn AB		35021	
1		Axel	Säkringslock	EI-Björn AB	4x212mm	126062	
1		Kontramutter	M25	Helag AB		MSL-04 M25	1477633
1		Förskruvning	M25	Helag AB	11-17mm	OMRL-E14 M25x15mm	1477684
1		Täcklock	GP/GF	EI-Björn AB	72x72, Blå	34008	
3	F01-F03	MCB	PLS6-C16	Eaton	C 16A, 6kA	242681	2141469
2	F04-F05	MCB	PLS6-C16/3	Eaton	C 16A, 6kA	242949	2141509
1	JF01	RCD	PFIM-40/4/003-A-SVP	Eaton	40A, 30mA, A	110781	2162237
1	Q00	Lastbrytare	KG 32B T103/01 FT2	Kraus & Naimer	32A, 3-P		3162769
5	X01-X03	Schukouttag	Typ F	Mennekes	16A, 230V, IP54	11020EB	
2	X04-X05	Uttag	416RU6	ABB	16A, 400V, IP44	2CMA192642R1000	2416633
1	X06	Uttag	432RU6	ABB	32A, 400V, IP44	2CMA192658R1000	2416660

ARTIKELNR./ ARTICLE NO. EB15766	
MÄRKSTRÖM/ CURRENT RATING 32	A
SPÄNNING/ VOLTAGE 400	V
MEASURING EQUIPMENT	
CURR- TRAFO- SPACE	ENERGY- METER- SPACE
FAST ANSLUTNING/ FIXED CONNECTIONS	
<125A	>125A
CEE-OUTLETS 3-POLE	
16A	32A 63A 125A
SCHUKO OUTLETS	
16A	
4	
CEE-OUTLETS 4-POLE	
16A	32A 63A 125A
2	
CEE-OUTLETS 5-POLE/400V	
16A	32A 63A 125A
2	
JFB/RCD/RCBO	
0,01A	0,03A 0,1A
1	
JFB/RCD/RCBO	
0,3A	0,5A Variable
VIKT/WEIGHT	
3,2 kg	

This drawing is property of EI-Björn. May not be copied, shown or distributed without our written permission.

SF 32MIDI//421-1 EN



RITAD AV/DRAWN BY
CG

DATUM/DATE
210512

SIGN

REVISION/ISSUE

NEXT SHEET

SHEET
4

RITNING NR./DRAWING
EB15766