

INSTRUKSJONER TIL BRUKERE AV MIDLERTIDIGE ELEKTRISKE ANLEGG

1. En kompetent person skal ha tilsyn med anlegget og være ansvarlig for driften. Feil bruk av det elektriske anlegget kan medføre fare for personskade og brann.
2. Sentralen skal plasseres loddrett eller på stativ, og med fritt betjeningsområde foran sentralen.
3. Faste tilkoblinger av kabler og bytte av sikringer skal bare utføres av fagfolk. Ved fast tilkobling av gummikabler skal strekkavlastningens klemflate være utført i isolasjonsmateriale. Ikke-fagfolk skal kun betjene jordfeilbryter, automatsikring og uttak for stikkontakter.
4. Sentralens dører skal være lukket og om nødvendig også låst. Dørene skal bare åpnes ved betjening av sentralen.
5. Elektriske apparater som er koblet til sentralen, skal kobles fra eller gjøres spenningsløse når de ikke er i bruk, for å unngå utilsiktet igangsetting eller anvendelse av disse.
6. De elektriske apparatene som brukes, må oppfylle forskriftene og skal enten være utstyrt med ekstra isolasjon eller, i klasse 1-utførelse, med jordet stikkontakt.
7. Kabler må legges slik at de ikke blir skadet. Det gjelder kabler både innenfor og utenfor dørene.
8. Kabler eller apparater med feil skal frakobles og ikke tas i bruk igjen før de defekte delene er skiftet eller reparert.
9. Knivsikring må bare byttes av kompetent personale.

INSTRUCTIONS FOR USERS OF TEMPORARY ELECTRICAL INSTALLATIONS

1. Operation of the installation must be supervised by an authorised person. Incorrect use of the electrical installation could mean risk of personal injury and fire.
2. The distribution unit must be installed vertical or on a stand so that there is free access in front of the unit.
3. Permanent cable connection or replacement of fuses may only be carried out by qualified personnel. Permanently connected rubber-insulated cables must be secured with a restraint that has an insulating gripping surface. Unqualified personnel may only operate earth leakage circuit breakers, miniature circuit breakers and plug sockets.
4. Distribution unit doors must be closed and, where required, also locked. Doors must only be left open when carrying out work on the distribution unit.
5. Electrical equipment that is connected to distribution units must be disconnected or switched off when not in use in order to avoid unintentional starting up or switching on.
6. Electrical equipment that is used must comply with the requirements and must either have additional insulation or comply with class I and have an earthed plug.
7. Cables inside and outside the doors must be routed so as to avoid damaging them.
8. Cables or equipment that are defective must be disconnected and not used until the defective parts have been replaced or repaired.
9. Blade fuses may only be replaced by personnel who have the necessary training.

ARTIKELNR./
ARTICLE NO.
EB15782

MÅKSTRØM/
CURRENT RATING
250 **A**

SPÅNNING/
VOLTAGE
230 **V**

MEASURING EQUIPMENT	
CURR.- TRAFO- SPACE	ENERGY- METER- SPACE

FAST ANSLUTNING/ FIXED CONNECTIONS	
<125A	>125A

CEE-OUTLETS 3-POLE			
16A	32A	63A	125A
1	1	1	1

SCHUKO OUTLETS			
16A			
6			

CEE-OUTLETS 4-POLE			
16A	32A	63A	125A
2	2	2	1

CEE-OUTLETS 5-POLE/400V			
16A	32A	63A	125A
2	2	2	1

JFB/RCD/RCBO		
0,01A	0,03A	0,1A
5	2	2

JFB/RCD/RCBO		
0,3A	0,5A	Variable
1	1	1

VIKT/WEIGHT
100 **kg**

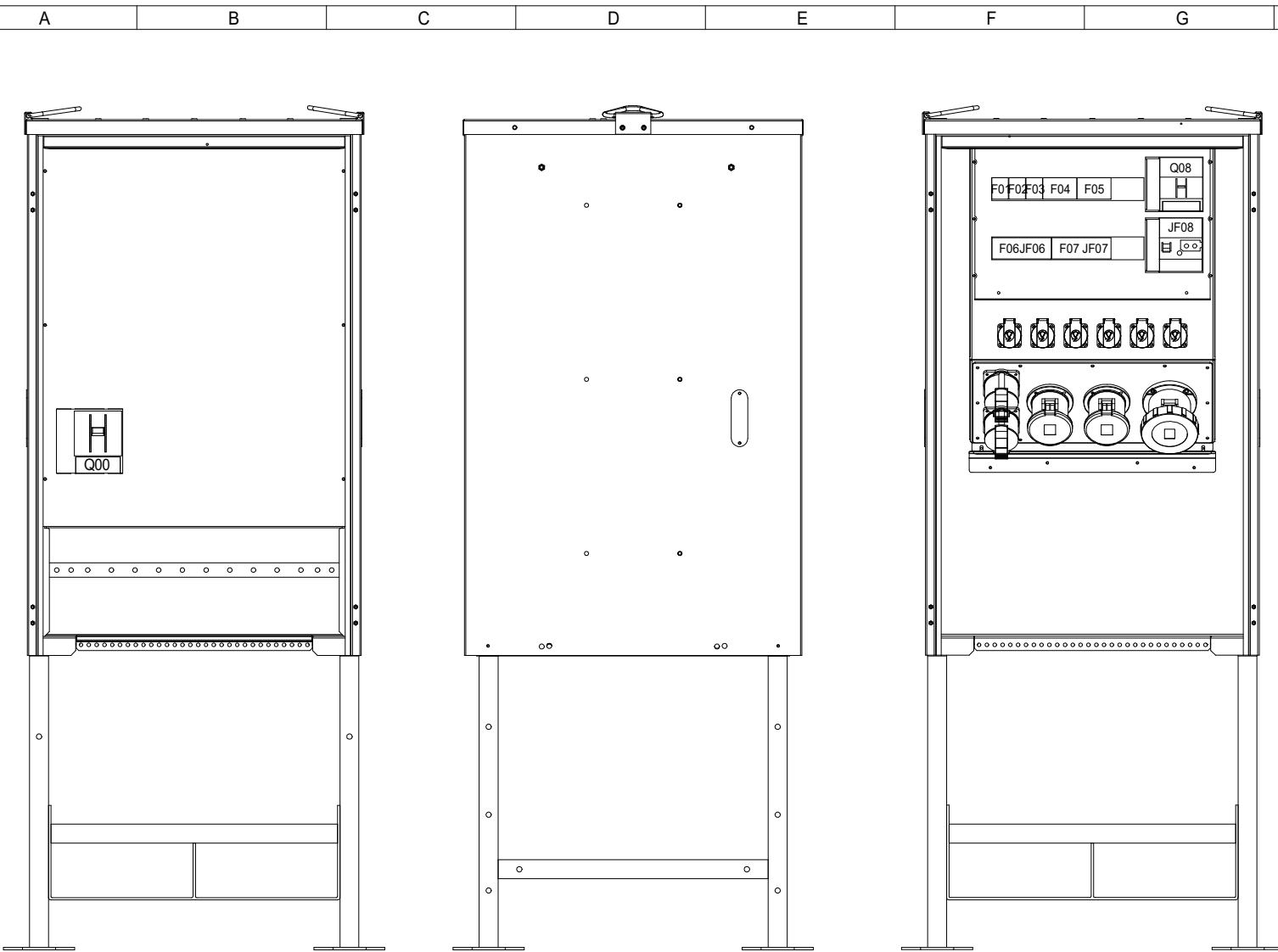
RITAD AV/DRAWN BY	DATUM/DATE	NEXT SHEET	SHEET
CG	220407	2	1

SIGN	REVISION/ISSUE	RITINGS NR./DRAWING
	A*	EB15782

SF 250NBC 230//60221-5021 EN



This drawing is property of El-Björn. May not be copied, shown or distributed without our written permission.



ARTIKELNR./
ARTICLE NO.
EB15782

MÄRKSTRÖM/
CURRENT RATING
250 A

SPÄNNING/
VOLTAGE
230 V

MEASURING
EQUIPMENT
CURR.-
TRAFO-
SPACE ENERGY-
METER-
SPACE

FAST ANSLUTNING/
FIXED CONNECTIONS
<125A >125A

CEE-OUTLETS
3-POLE
16A 32A 63A 125A

SCHUKO OUTLETS
16A
6

CEE-OUTLETS
4-POLE
16A 32A 63A 125A
2 2 1

CEE-OUTLETS
5-POLE/400V
16A 32A 63A 125A

JFB/RCD/RCBO
0,01A 0,03A 0,1A
5 2

JFB/RCD/RCBO
0,3A 0,5A Variable
1

VIKT/WEIGHT
100 kg

NEXT SHEET SHEET
3 2

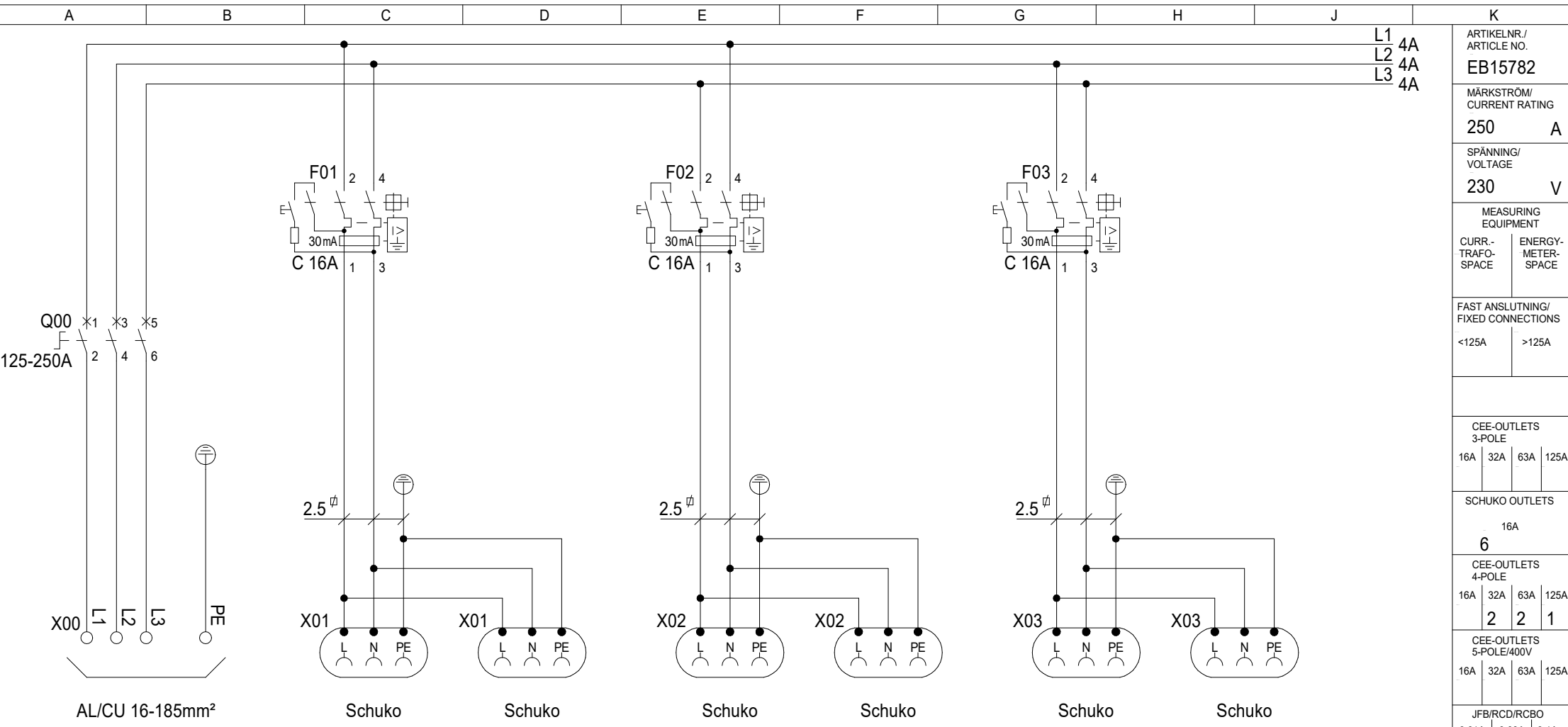
RITNINGS NR./DRAWING
EB15782

This drawing is property of El-Björn. May not be copied, shown or distributed without our written permission.

SF 250NBC 230//60221-5021 EN



RITAD AV/DRAWN BY
CG
SIGN
DATUM/DATE
220407
REVISION/ISSUE
A*



L1 4A
L2 4A
L3 4A

ARTIKELNR./
ARTICLE NO.
EB15782

MÄRKSTRÖM/
CURRENT RATING
250 A

SPÄNNING/
VOLTAGE
230 V

MEASURING
EQUIPMENT
CURR-
TRAFO-
SPACE ENERGY-
METER-
SPACE

FAST ANSLUTNING/
FIXED CONNECTIONS
<125A >125A

CEE-OUTLETS
3-POLE
16A 32A 63A 125A

SCHUKO OUTLETS
16A
6

CEE-OUTLETS
4-POLE
16A 32A 63A 125A
2 2 1

CEE-OUTLETS
5-POLE/400V
16A 32A 63A 125A

JFB/RCD/RCBO
0,01A 0,03A 0,1A
5 2

JFB/RCD/RCBO
0,3A 0,5A Variable
1

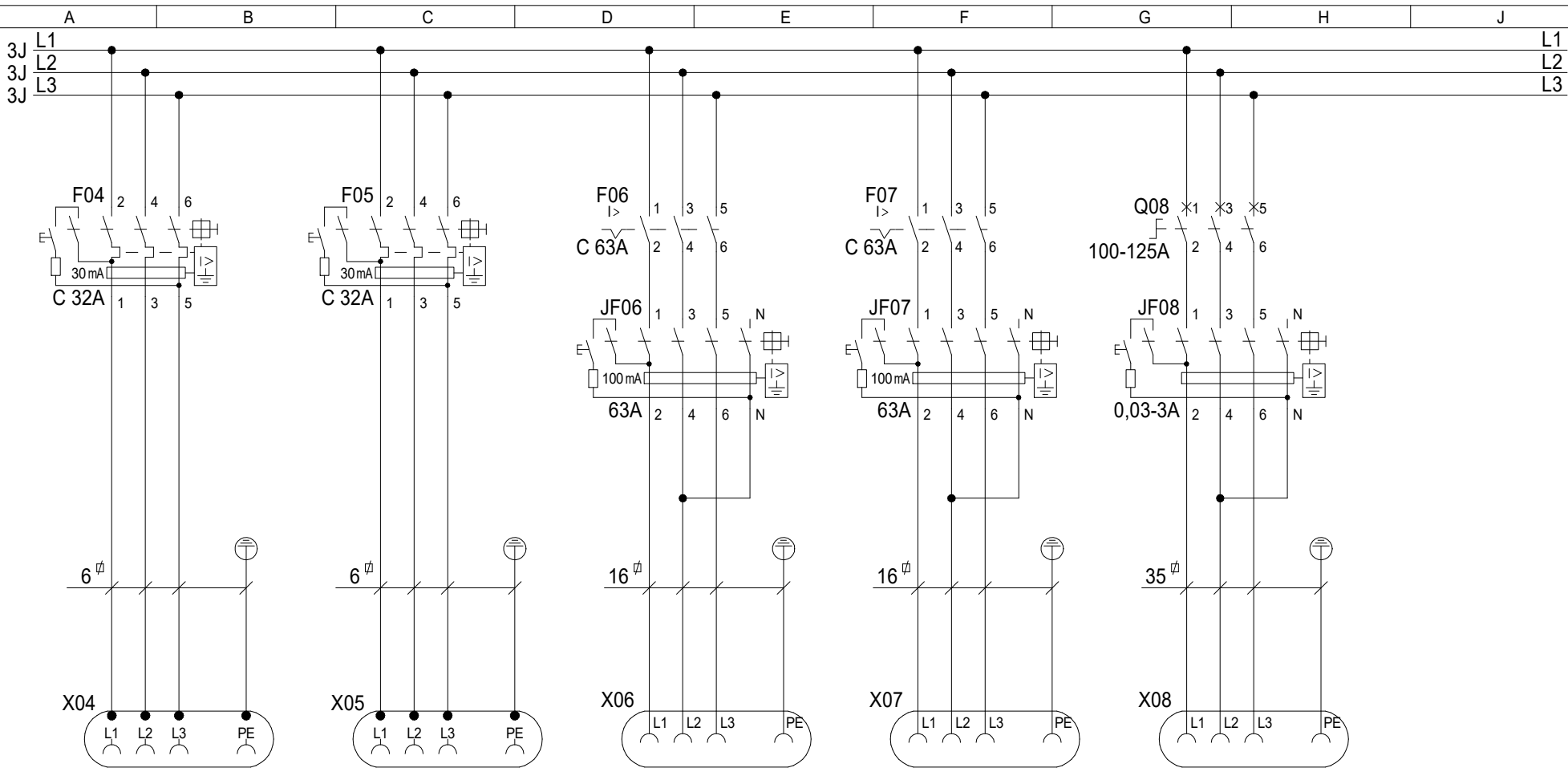
VIKT/WEIGHT
100 kg

This drawing is property of El-Björn. May not be copied, shown or distributed without our written permission.

SF 250NBC 230//60221-5021 EN



RITAD A/DRAWN BY CG	DATUM/DATE 220407	NEXT SHEET 4	SHEET 3
SIGN	REVISION/ISSUE A*	RITINGS NR./DRAWING EB15782	



CEE 332-9

CEE 332-9

CEE 363-9

CEE 363-9

CEE 3125-9

ARTIKELNR./ ARTICLE NO. EB15782			
MÄRKSTRÖM/ CURRENT RATING	250 A		
SPÄNNING/ VOLTAGE	230 V		
MEASURING EQUIPMENT			
CURR.- TRAFO- SPACE	ENERGY- METER- SPACE		
FAST ANSLUTNING/ FIXED CONNECTIONS			
<125A	>125A		
CEE-OUTLETS 3-POLE			
16A	32A	63A	125A
SCHUKO OUTLETS			
16A			
6			
CEE-OUTLETS 4-POLE			
16A	32A	63A	125A
2	2	1	
CEE-OUTLETS 5-POLE/400V			
16A	32A	63A	125A
JFB/RCD/RCBO			
0,01A	0,03A	0,1A	
5		2	
JFB/RCD/RCBO			
0,3A	0,5A	Variable	
		1	
VIKT/WEIGHT			
100		kg	

This drawing is property of El-Björn. May not be copied, shown or distributed without our written permission.

SF 250NBC 230//60221-5021 EN



RITAD AVIDRAWN BY CG	DATUMDATE 220407	NEXT SHEET 5	SHEET 4
SIGN	REVISIONISSUE A*	RITINGS NR./DRAWING EB15782	

A	B	C	D	E	F	G	H	J	K
PC.	Position	Description	Type	Manufacturer	Data	Article No.	E-number(SE)	ARTIKELNR./ ARTICLE NO. EB15782	
1	.	Skåp	NBC 700	EI-Björn AB	700x1700x800mm	K287009		MÄRKSTRÖM/ CURRENT RATING 250 A	
1		Insats	61121	EI-Björn AB	36mod + MCCB	K287013		SPÄNNING/ VOLTAGE 230 V	
3	F01-F03	RCBO	PKPM2-16/2/C/003-A	Eaton	C 16A, 30mA, 10kA	108111	2162432	MEASURING EQUIPMENT	
2	F04-F05	RCBO	PKPM3-32/3/C/003-A	Eaton	C 32A, 30mA, 10kA	136564		CURR- TRAFO- SPACE	ENERGY- METER- SPACE
2	F06-F07	MCB	PLSM-C63/3	Eaton	C 63A, 10kA	242480	2141635	FAST ANSLUTNING/ FIXED CONNECTIONS <125A >125A	
2	JF06-JF07	RCD	PFIM-63/4/01-A	Eaton	63A, 100mA, A	235444	2162247	CEE-OUTLETS 3-POLE 16A 32A 63A 125A	
1	JF08	RCD	NZM1-XFIR	Eaton	0,03-3A, 3P	104605		SCHUKO OUTLETS 16A 6	
1	Q00	MCCB	NZMN2-VE250	Eaton	125-250A, 50kA	259124		CEE-OUTLETS 4-POLE 16A 32A 63A 125A 2 2 1	
1		Anslutning	NZM2-XKA	Eaton	AL/CU 16-185mm ²	271457		CEE-OUTLETS 5-POLE/400V 16A 32A 63A 125A	
1		B-Skydd	NZM2-XKSA	Eaton		260038		JFB/RCD/RCBO 0,01A 0,03A 0,1A 5 2	
1		Etikett	Moment	EI-Björn AB	NZM2	83897		JFB/RCD/RCBO 0,3A 0,5A Variable 1	
1	Q08	MCCB	NZMB1-A125	Eaton	100-125A, 25kA	259080		VIKT/WEIGHT 100 kg	
6	X01-X03	Schukouttag	Typ F	Mennekes	16A, 230V, IP54	11020EB		RITAD AV/DRAWN BY CG	
2	X04-X05	Uttag	332RU9	ABB	32A, 230V, IP44	2CMA193252R1000		DATUM/DATE 220407	
2	X06-X07	Uttag	363RU9	ABB	63A, 230V, IP44	2CMA167524R1000	2416678	NEXT SHEET SHEET 5	
1	X08	Uttag	3125RU9W	ABB	125A, 230V, IP67	2CMA167138R1000	2416780	SIGN REVISION/ISSUE A*	
								RITNINGS NR./DRAWING EB15782	

This drawing is property of EI-Björn. May not be copied, shown or distributed without our written permission.

SF 250NBC 230//60221-5021 EN



RITAD AV/DRAWN BY CG	DATUM/DATE 220407	NEXT SHEET 5
SIGN	REVISION/ISSUE A*	RITNINGS NR./DRAWING EB15782