

INSTRUKSJONER TIL BRUKERE AV MIDLERTIDIGE ELEKTRISKE ANLEGG

1. En kompetent person skal ha tilsyn med anlegget og være ansvarlig for driften. Feil bruk av det elektriske anlegget kan medføre fare for personskade og brann.
2. Sentralen skal plasseres loddrett eller på stativ, og med fritt betjeningsområde foran sentralen.
3. Faste tilkoblinger av kabler og bytte av sikringer skal bare utføres av fagfolk. Ved fast tilkobling av gummikabler skal strekkavlastningens klemflate være utført i isolasjonsmateriale. Ikke-fagfolk skal kun betjene jordfeilbryter, automatsikring og uttak for stikkontakter.
4. Sentralens dører skal være lukket og om nødvendig også låst. Dørene skal bare åpnes ved betjening av sentralen.
5. Elektriske apparater som er koblet til sentralen, skal kobles fra eller gjøres spenningsløse når de ikke er i bruk, for å unngå utilsiktet igangsetting eller anvendelse av disse.
6. De elektriske apparatene som brukes, må oppfylle forskriftene og skal enten være utstyrt med ekstra isolasjon eller, i klasse 1-utførelse, med jordet stikkontakt.
7. Kabler må legges slik at de ikke blir skadet. Det gjelder kabler både innenfor og utenfor dørene.
8. Kabler eller apparater med feil skal frakobles og ikke tas i bruk igjen før de defekte delene er skiftet eller reparert.
9. Knivsikring må bare byttes av kompetent personale.

INSTRUCTIONS FOR USERS OF TEMPORARY ELECTRICAL INSTALLATIONS

1. Operation of the installation must be supervised by an authorised person. Incorrect use of the electrical installation could mean risk of personal injury and fire.
2. The distribution unit must be installed vertical or on a stand so that there is free access in front of the unit.
3. Permanent cable connection or replacement of fuses may only be carried out by qualified personnel. Permanently connected rubber-insulated cables must be secured with a restraint that has an insulating gripping surface. Unqualified personnel may only operate earth leakage circuit breakers, miniature circuit breakers and plug sockets.
4. Distribution unit doors must be closed and, where required, also locked. Doors must only be left open when carrying out work on the distribution unit.
5. Electrical equipment that is connected to distribution units must be disconnected or switched off when not in use in order to avoid unintentional starting up or switching on.
6. Electrical equipment that is used must comply with the requirements and must either have additional insulation or comply with class I and have an earthed plug.
7. Cables inside and outside the doors must be routed so as to avoid damaging them.
8. Cables or equipment that are defective must be disconnected and not used until the defective parts have been replaced or repaired.
9. Blade fuses may only be replaced by personnel who have the necessary training.

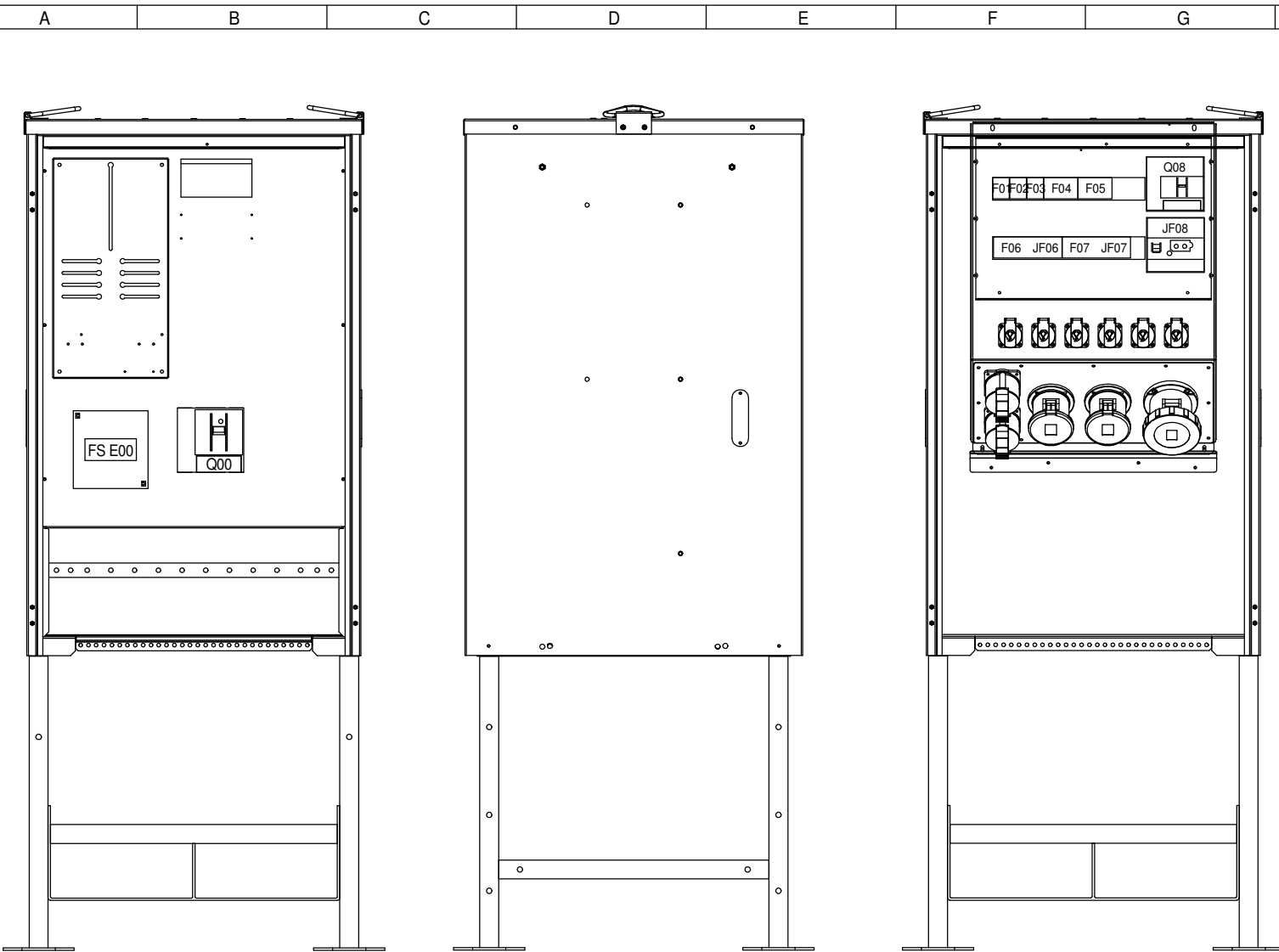
ARTIKELNR./ ARTICLE NO. EB15776			
MÅRKSTRØM/ CURRENT RATING 250	A		
SPÅNNING/ VOLTAGE 400	V		
MEASURING EQUIPMENT			
CURR.- TRAFØ- SPACE 1	ENERGY- METER- SPACE 1		
FAST ANSLUTNING/ FIXED CONNECTIONS			
<125A	>125A		
CEE-OUTLETS 3-POLE			
16A	32A	63A	125A
SCHUKO OUTLETS			
16A			
6			
CEE-OUTLETS 4-POLE			
16A	32A	63A	125A
1	1	2	1
CEE-OUTLETS 5-POLE/400V			
16A	32A	63A	125A
1	1	2	1
JFB/RCD/RCBO			
0,01A	0,03A	0,1A	
5			
JFB/RCD/RCBO			
0,3A	0,5A	Variable	
2		1	
VIKT/WEIGHT			
100 kg			

This drawing is property of El-Björn. May not be copied, shown or distributed without our written permission.

ZSF 250NBC//61121-5021 EN



RITAD AV/DRAWN BY CG	DATUM/DATE 220405	NEXT SHEET 2	SHEET 1
SIGN	REVISION/ISSUE	RITTINGS NR./DRAWING EB15776	



ARTIKELNR./
ARTICLE NO.
EB15776

MÄRKSTRÖM/
CURRENT RATING
250 A

SPÄNNING/
VOLTAGE
400 V

MEASURING EQUIPMENT	
CURR.- TRAFO- SPACE	ENERGY- METER- SPACE
1	1

FAST ANSLUTNING/ FIXED CONNECTIONS	
<125A	>125A

CEE-OUTLETS 3-POLE			
16A	32A	63A	125A

SCHUKO OUTLETS	
16A	
6	

CEE-OUTLETS 4-POLE			
16A	32A	63A	125A

CEE-OUTLETS 5-POLE/400V			
16A	32A	63A	125A
1	1	2	1

JFB/RCD/RCBO		
0,01A	0,03A	0,1A
5		

JFB/RCD/RCBO		
0,3A	0,5A	Variable
2		1

VIKT/WEIGHT
100 kg

RITAD AV/DRAWN BY	DATUM/DATE	NEXT SHEET	SHEET
CG	220405	3	2

SIGN	REVISION/ISSUE	RITTINGS NR./DRAWING
		EB15776

This drawing is property of El-Björn. May not be copied, shown or distributed without our written permission.

ZSF 250NBC//61121-5021 EN



RITAD AV/DRAWN BY
CG

SIGN

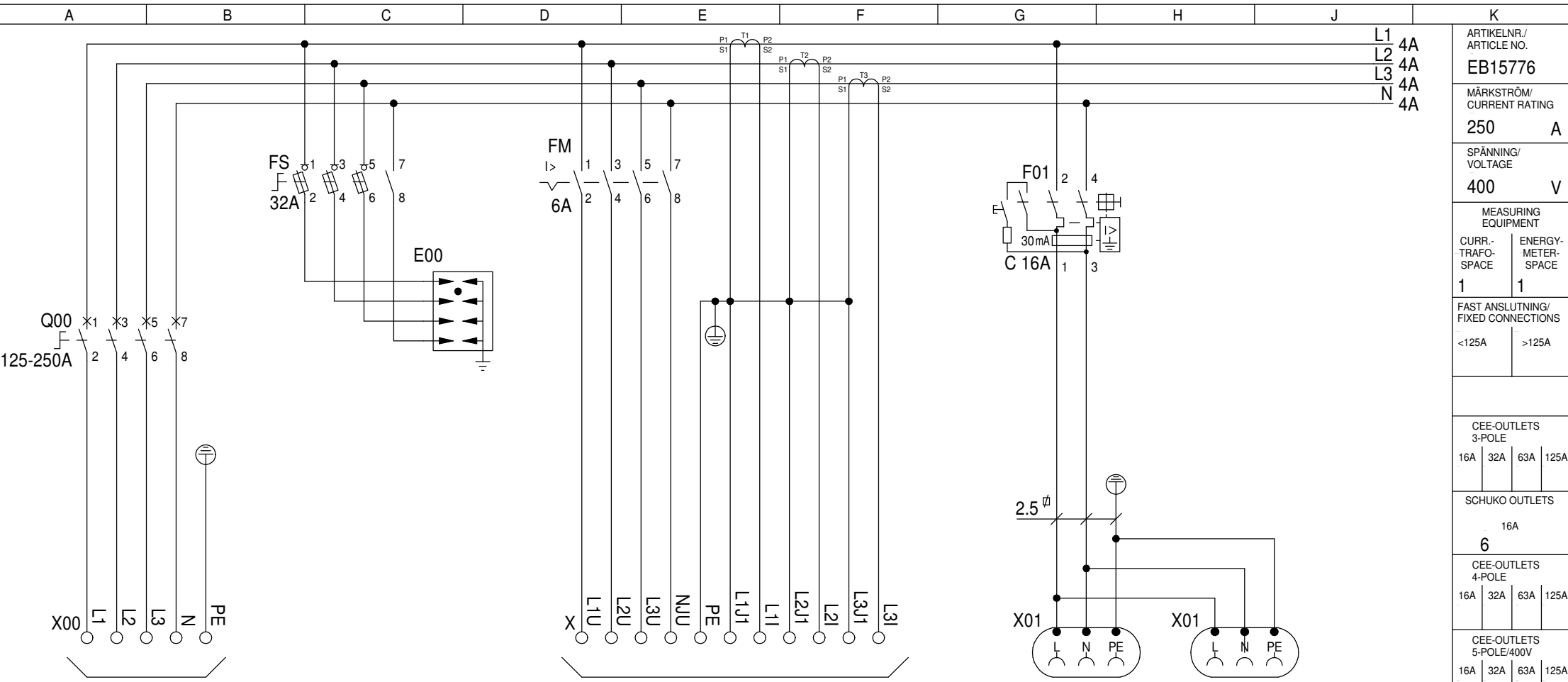
DATUM/DATE
220405

REVISION/ISSUE

NEXT SHEET
3

SHEET
2

RITTINGS NR./DRAWING
EB15776



AL/CU 16-185mm²

MÄTARPLINT

Schuko

Schuko

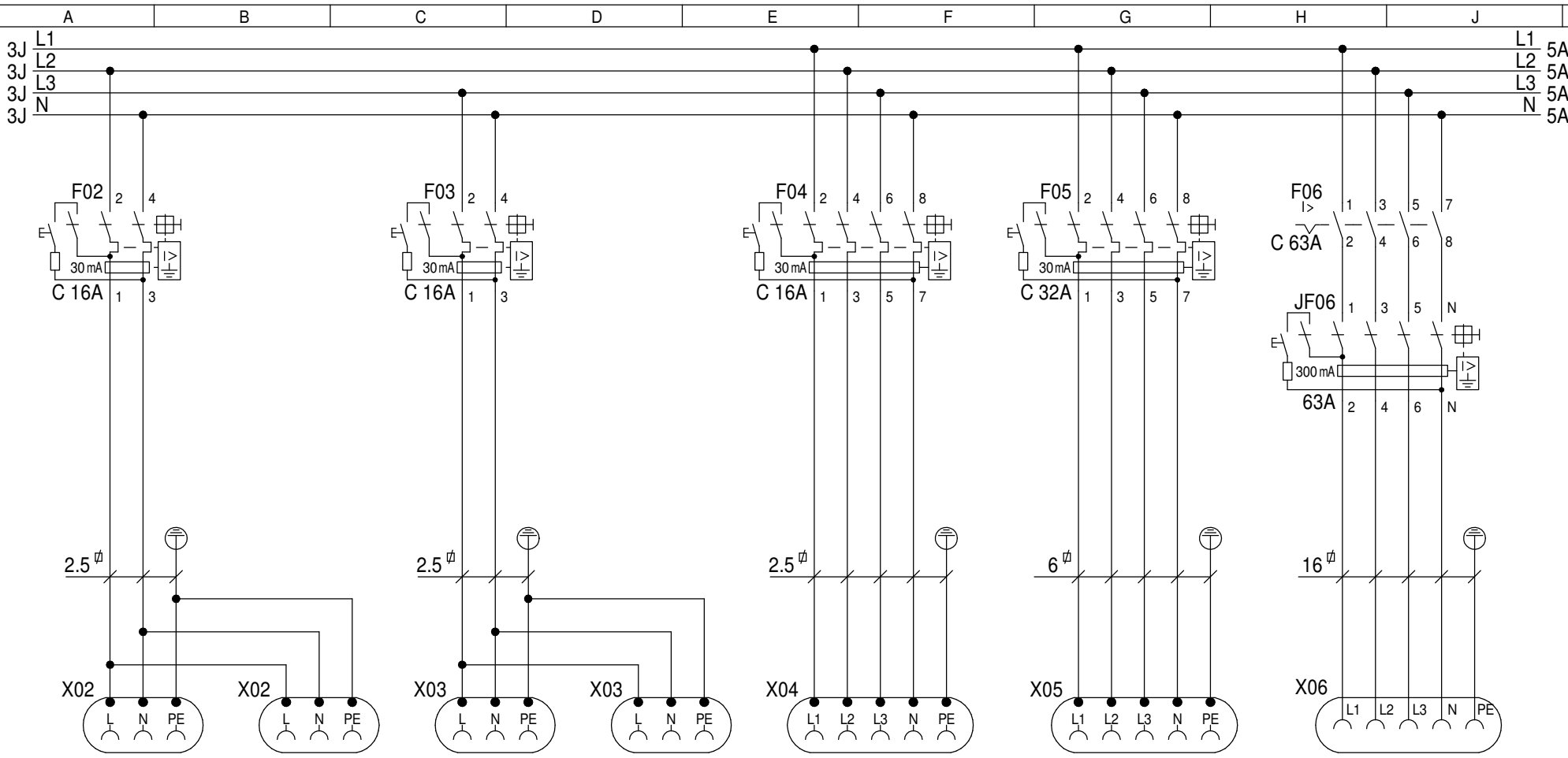
ARTIKELNR./ ARTICLE NO. EB15776			
MÄRKSTRÖM/ CURRENT RATING	250 A		
SPÄNNING/ VOLTAGE	400 V		
MEASURING EQUIPMENT			
CURR.- TRAFO- SPACE	ENERGY- METER- SPACE		
1	1		
FAST ANSLUTNING/ FIXED CONNECTIONS			
<125A	>125A		
CEE-OUTLETS 3-POLE			
16A	32A	63A	125A
SCHUKO OUTLETS			
16A			
6			
CEE-OUTLETS 4-POLE			
16A	32A	63A	125A
1	1	2	1
CEE-OUTLETS 5-POLE/400V			
16A	32A	63A	125A
1	1	2	1
JFB/RCD/RCBO			
0,01A	0,03A	0,1A	
5			
JFB/RCD/RCBO			
0,3A	0,5A	Variable	
2		1	
VIKT/WEIGHT			
100 kg			

This drawing is property of El-Björn. May not be copied, shown or distributed without our written permission.

ZSF 250NBC//61121-5021 EN



RITAD AV/DRAWN BY CG	DATUM/DATE 220405	NEXT SHEET 4	SHEET 3
SIGN	REVISION/ISSUE	RITTINGS NR./DRAWING EB15776	



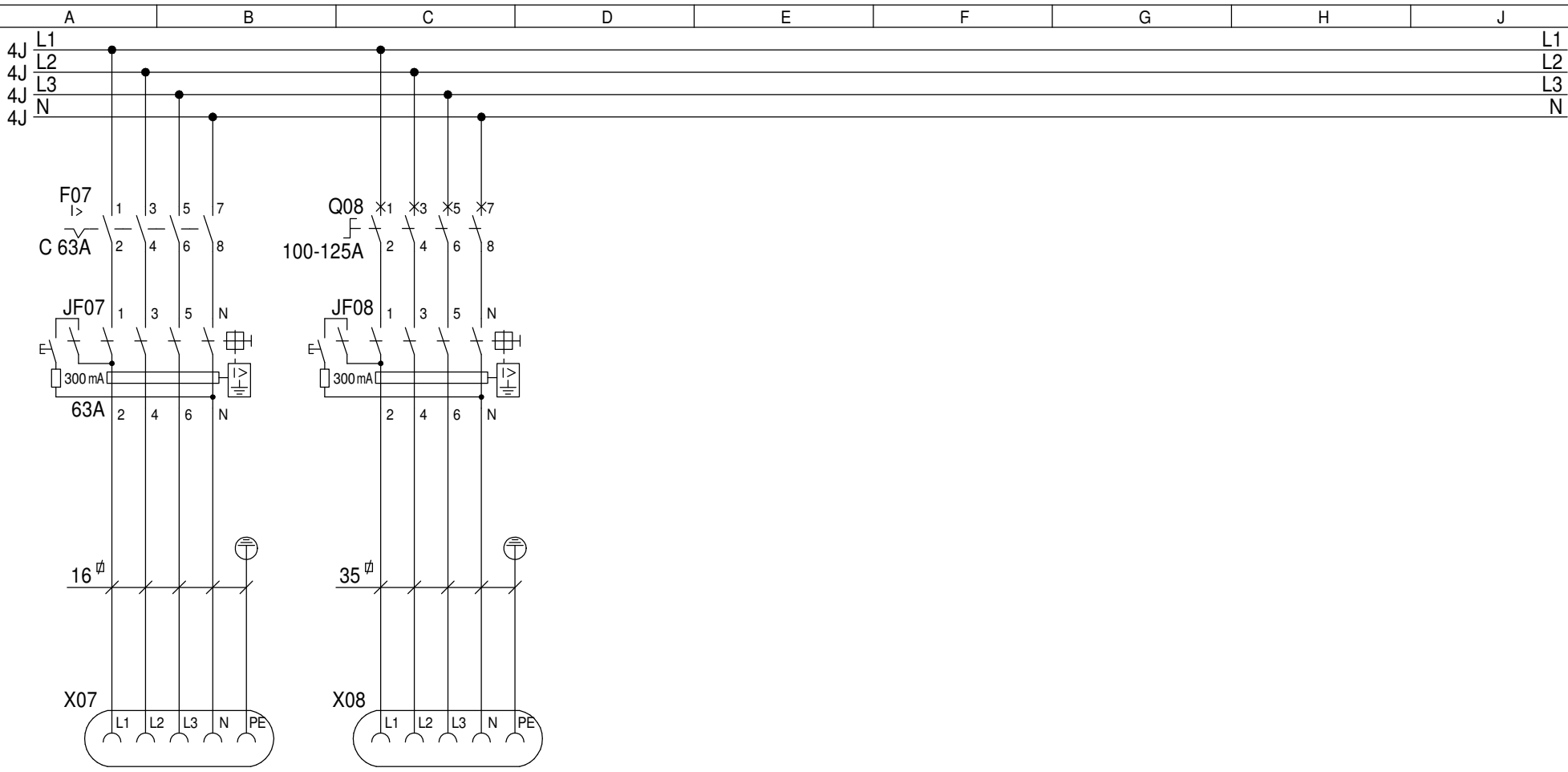
ARTIKELNR./ ARTICLE NO. EB15776			
MÄRKSTRÖM/ CURRENT RATING	250 A		
SPÄNNING/ VOLTAGE	400 V		
MEASURING EQUIPMENT			
CURR.- TRAFÖ- SPACE	ENERGY- METER- SPACE		
1	1		
FAST ANSLUTNING/ FIXED CONNECTIONS			
<125A	>125A		
CEE-OUTLETS 3-POLE			
16A	32A	63A	125A
SCHUKO OUTLETS			
16A			
6			
CEE-OUTLETS 4-POLE			
16A	32A	63A	125A
1	1	2	1
CEE-OUTLETS 5-POLE/400V			
16A	32A	63A	125A
1	1	2	1
JFB/RCD/RCBO			
0,01A	0,03A	0,1A	
5			
JFB/RCD/RCBO			
0,3A	0,5A	Variable	
2		1	
VIKT/WEIGHT			
100 kg			

This drawing is property of El-Björn. May not be copied, shown or distributed without our written permission.

ZSF 250NBC//61121-5021 EN



RITAD AV/DRAWN BY CG	DATUM/DATE 220405	NEXT SHEET 5	SHEET 4
SIGN	REVISION/ISSUE	FITTINGS NR./DRAWING EB15776	



L1
L2
L3
N

ARTIKELNR./
ARTICLE NO.
EB15776

MÄRKSTRÖM/
CURRENT RATING
250 A

SPÄNNING/
VOLTAGE
400 V

MEASURING EQUIPMENT	
CURR.- TRAFO- SPACE	ENERGY- METER- SPACE
1	1

FAST ANSLUTNING/ FIXED CONNECTIONS	
<125A	>125A

CEE-OUTLETS 3-POLE			
16A	32A	63A	125A

SCHUKO OUTLETS	
16A	
6	

CEE-OUTLETS 4-POLE			
16A	32A	63A	125A

CEE-OUTLETS 5-POLE/400V			
16A	32A	63A	125A
1	1	2	1

JFB/RCD/RCBO		
0,01A	0,03A	0,1A
5		

JFB/RCD/RCBO		
0,3A	0,5A	Variable
2		1

VIKT/WEIGHT
100 kg

RITAD AV/DRAWN BY	DATUM/DATE	NEXT SHEET	SHEET
CG	220405	6	5

SIGN	REVISION/ISSUE	RITTINGS NR./DRAWING
		EB15776

This drawing is property of El-Björn. May not be copied, shown or distributed without our written permission.

ZSF 250NBC//61121-5021 EN



RITAD AV/DRAWN BY	DATUM/DATE	NEXT SHEET	SHEET
CG	220405	6	5
SIGN	REVISION/ISSUE	RITTINGS NR./DRAWING	
		EB15776	

PC.	Position	Description	Type	Manufacturer	Data	Article No.	E-number(SE)
1	.	Skåp	NBC 700M	EI-Björn AB	900x1700x800mm	K287012	
1		Insats	61121	EI-Björn AB	36mod + MCCB	K287013	
1	E00	Överspänningsskydd	SPCT2-385/4	Eaton	20kA, 4P, 385V	167606	
3	F01-F03	RCBO	PKPM2-16/2/C/003-A	Eaton	C 16A, 30mA, 10kA	108111	2162432
1	F04	RCBO	mRB6-16/3N/C/003-A	Eaton	C 16A, 30mA, 6kA	120660	
1	F05	RCBO	mRB4-32/3N/C/003-A	Eaton	C 32A, 30mA, 4,5kA	167508	
2	F06-F07	MCCB	PLSM-C63/3N	Eaton	C 63A, 10kA	242549	
1	FS	Säkringshållare	DF103N	Schneider Electric	4P, 32A, 10x38mm	DF103N	
3		Neozedsäkring	C10G32	Eaton	32A, 10x38mm	C10G32	
2	JF06-JF07	RCD	PFIM-63/4/03-A-MV	Eaton	63A, 300mA, A	235445	2162249
1	JF08	RCD	NZM1-4-XFIR	Eaton	0,03-3A, 4P	104608	
1	Q00	MCCB	NZMN2-4-VE250	Eaton	125-250A, 50kA	265938	
1		Anslutning	NZM2-4-XKA	Eaton	AL/CU 16-185mm ²	266756	
1		B-Skydd	NZM2-4-XKSA	Eaton		266770	
1		Etikett	Moment	EI-Björn AB	NZM2	83897	
1	Q08	MCCB	NZMB1-4-A125	Eaton	100-125A, 25kA	265809	
6	X01-X03	Schukouttag	Typ F	Mennekes	16A, 230V, IP54	11020EB	
1	X04	Uttag	416-6	Mennekes	16A, 400V, IP44	1385	
1	X05	Uttag	432-6	Mennekes	32A, 400V, IP44	3451	
2	X06-X07	Uttag	463-6	Mennekes	63A, 400V, IP44	1252A	
1	X08	Uttag	4125-6	Mennekes	125A, 400V, IP67	1461	

ARTIKELNR./ ARTICLE NO. EB15776	
MÄRKSTRÖM/ CURRENT RATING 250 A	
SPÄNNING/ VOLTAGE 400 V	
MEASURING EQUIPMENT	
CURR.- TRAFO- SPACE 1	ENERGY- METER- SPACE 1
FAST ANSLUTNING/ FIXED CONNECTIONS <125A >125A	
CEE-OUTLETS 3-POLE 16A 32A 63A 125A	
SCHUKO OUTLETS 16A 6	
CEE-OUTLETS 4-POLE 16A 32A 63A 125A	
CEE-OUTLETS 5-POLE/400V 16A 32A 63A 125A 1 1 2 1	
JFB/RCD/RCBO 0,01A 0,03A 0,1A 5	
JFB/RCD/RCBO 0,3A 0,5A Variable 2 1	
VIKT/WEIGHT 100 kg	

This drawing is property of EI-Björn. May not be copied, shown or distributed without our written permission.

ZSF 250NBC//61121-5021 EN



RITAD AV/DRAWN BY CG	DATUM/DATE 220405	NEXT SHEET	SHEET 6
SIGN	REVISION/ISSUE	RITNING NR./DRAWING EB15776	