

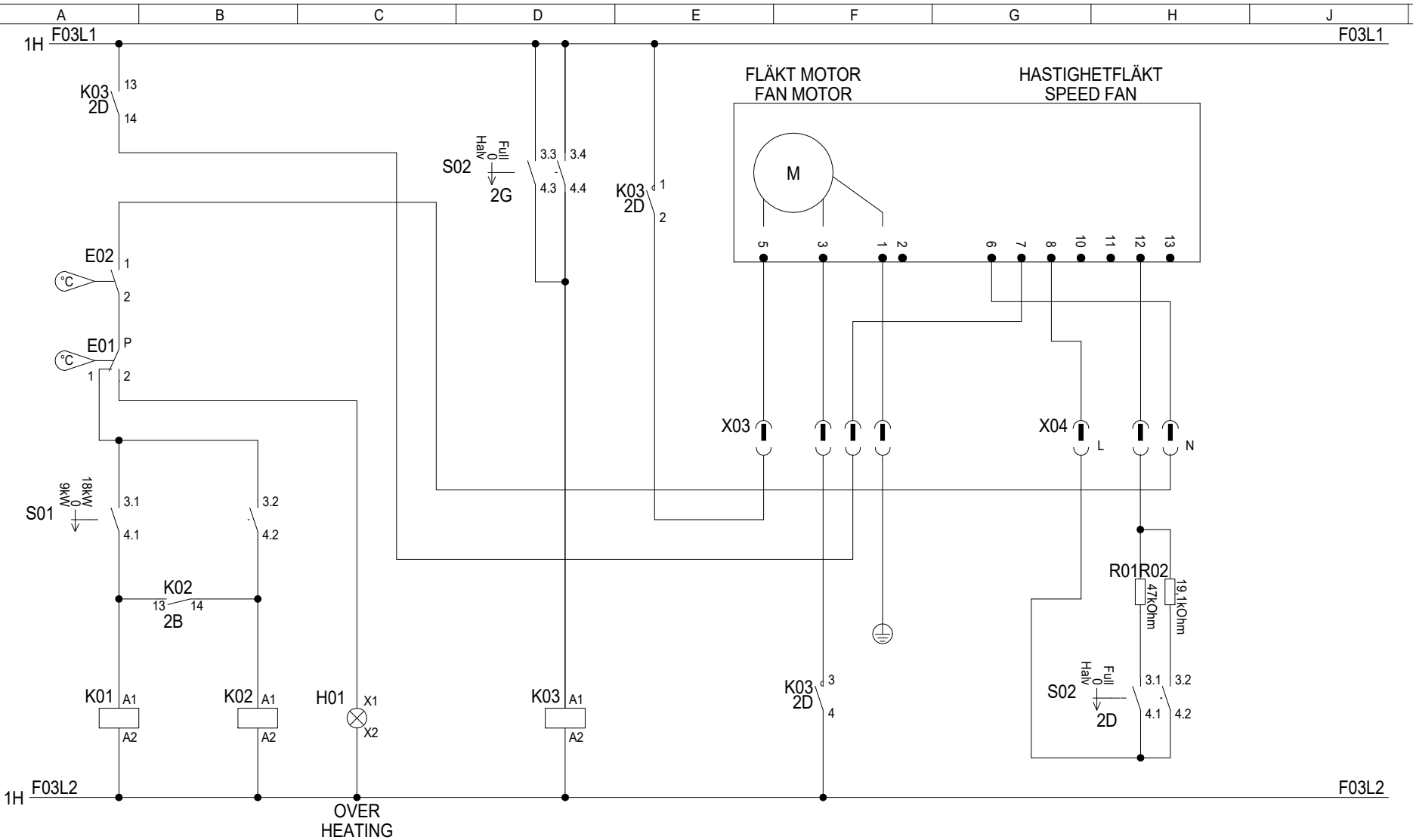
ARTIKELNR./ ARTICLE NO. EB16046			
MÄRKSTRÖM/ CURRENT RATING 2x32 A			
MEASURING EQUIPMENT			
CURR- TRAF0- SPACE	ENERGY- METER- SPACE		
FAST ANSLUTNING/ FIXED CONNECTIONS			
<125A	>125A		
CEE-OUTLETS 3-POLE/230V			
16A	32A	63A	125A
SCHUKO OUTLETS 2-POLE/230V 16A			
CEE-OUTLETS 5-POLE/400V			
16A	32A	63A	125A
JFB/RCCB			
<0,03A	>0,3A	>0,03A & <0,3A	
JFB/RCCB Variable			
VIKT/WEIGHT 50 kg			

This drawing is property of El-Björn. May not be copied, shown or distributed without our written permission.

TF 18EL EBS 230V



RITAD A/DRAWN BY CG	DATUM/DATE 220216	NEXT SHEET 2	SHEET 1
SIGN	REVISION/ISSUE A	RITNINGS NR./DRAWING EB16046	



OVER HEATING

- | | | | | | |
|-------|----|-------|----|-------|----|
| 1↔2 | 1C | 1↔2 | 1F | 1↔2 | 2E |
| 3↔4 | 1C | 3↔4 | 1F | 3↔4 | 2F |
| 5↔6 | 1C | 5↔6 | 1F | 5↔6 | |
| 13↔14 | | 13↔14 | 2B | 13↔14 | 2A |

ARTIKELNR/ ARTICLE NO. EB16046			
MÄRKSTROM/ CURRENT RATING 2x32	A		
MEASURING EQUIPMENT			
CURR- TRAFO- SPACE	ENERGY- METER- SPACE		
FAST ANSLUTNING/ FIXED CONNECTIONS			
<125A	>125A		
CEE-OUTLETS 3-POLE/230V			
16A	32A	63A	125A
SCHUKO OUTLETS 2-POLE/230V 16A			
CEE-OUTLETS 5-POLE/400V			
16A	32A	63A	125A
JFB/RCCB <0,03A	>0,3A	>0,03A & <0,3A	
JFB/RCCB Variable			
VIKT/WEIGHT 50 kg			

This drawing is property of El-Björn. May not be copied, shown or distributed without our written permission.

TF 18EL EBS 230V



RITAD A/DRAWN BY CG	DATUM/DATE 220216	NEXT SHEET 3	SHEET 2
SIGN	REVISION/ISSUE A	RITNINGS NR./DRAWING EB16046	

PC.	Position	Description	Type	Manufacturer	Data	Article No.	E-number(SE)
1	E01	Överhettningsskydd	NT-4B2 CM	Comprimé Components	65°	269077	
1	E02	Termostat	8 - 32 °C	E.G.O.		55.13002.490	
1	F03	MCB	iC60H 2P 10kA	Schneider Electric	C 6A	A9F07206	2112149
1	H01	Signallampa	TB010 FLOUR 230V	OEM electronics	LINS SD3 RÖD	TB010	
2	K01-K02	Kontaktor	LC1D25P7	Schneider Electric	25A, 11kW	LC1D25P7	3233034
1	K03	Kontaktor	LC1K0910M7	Schneider Electric	9A, 240VAC	LC1K0910M7	3230624
6	R	Rörellement		Backer	3000W / 230V	51853801	
1	R01	Motstånd	47kOhm	Elfa		301-55-398	
1	R02	Motstånd	19,1kOhm	Elfa		301-55-296	
2	S01-S02	Omkopplare	XB4BD33	Schneider Electric	3 Fasta läge, 2SI	XB4BD33	3732626
2	S02	Kontaktblock	Mont. På kontaktb.	Schneider Electric	1SI	ZBE101	3733195
2	X00-X01	Intag	332BU9	ABB	32A, 230V, IP44	2CMA193444R1000	2417345
6	X01-X02	Radplint	Grå	Schneider Electric	6mm ²	NSYTRV62	2916271
2		Radplint	Blå	Schneider Electric	6mm ²	NSYTRV62BL	2916272
2		Radplint	Gul/Grön	Schneider Electric	6mm ²	NSYTRV62PE	2916274
1	X03	Snäppkontakt	4-Pol, Female	Wago		770-704/009-000	
1		Snäppkontakt	4-Pol, Male	Wago		770-714	
1	X04	Snäppkontakt	3-Pol, Female	Wago		770-703/009-000	
1		Snäppkontakt	3-Pol, Male	Wago		770-713	

ARTIKELNR / ARTICLE NO. EB16046	
MÄRKSTROM / CURRENT RATING 2x32 A	
MEASURING EQUIPMENT	
CURR-TRAFU-SPACE	ENERGY-METER-SPACE
FAST ANSLUTNING / FIXED CONNECTIONS <125A >125A	
CEE-OUTLETS 3-POLE/230V 16A 32A 63A 125A	
SCHUKO OUTLETS 2-POLE/230V 16A	
CEE-OUTLETS 5-POLE/400V 16A 32A 63A 125A	
JFB/RCCB <0,03A >0,3A >0,03A & <0,3A	
JFB/RCCB Variable	
VIKT/WEIGHT 50 kg	

This drawing is property of El-Björn. May not be copied, shown or distributed without our written permission.

TF 18EL EBS 230V



RITAD A/DRAWN BY CG	DATUM/DATE 220216	NEXT SHEET	SHEET 3
SIGN	REVISION/ISSUE A	RITINGS NR./DRAWING EB16046	