

A

B

C

D

E

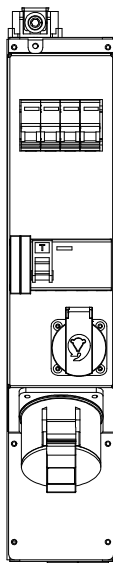
F

G

H

J

K

ARTIKELNR./
ARTICLE NO.**EB15527**MÄRKSTRÖM/
CURRENT RATING**63****A**SPÄNNING/
VOLTAGE**400****V**MEASURING
EQUIPMENTCURR.-
TRAFO-
SPACEENERGY-
METER-
SPACEFAST ANSLUTNING/
FIXED CONNECTIONS

<125A

>125A

CEE-OUTLETS
3-POLE

16A

32A

63A

125A

SCHUKO OUTLETS

16A

1CEE-OUTLETS
4-POLE

16A

32A

63A

125A

CEE-OUTLETS
5-POLE/400V

16A

32A

63A

125A

1

JFB/RCD/RCBO

0,01A

0,03A

0,1A

1

JFB/RCD/RCBO

0,3A

0,5A

Variable

VIKT/WEIGHT

kg

This drawing is property of El-Björn. May not be copied,
shown or distributed without our written permission.

UMK 63//11-1 EN

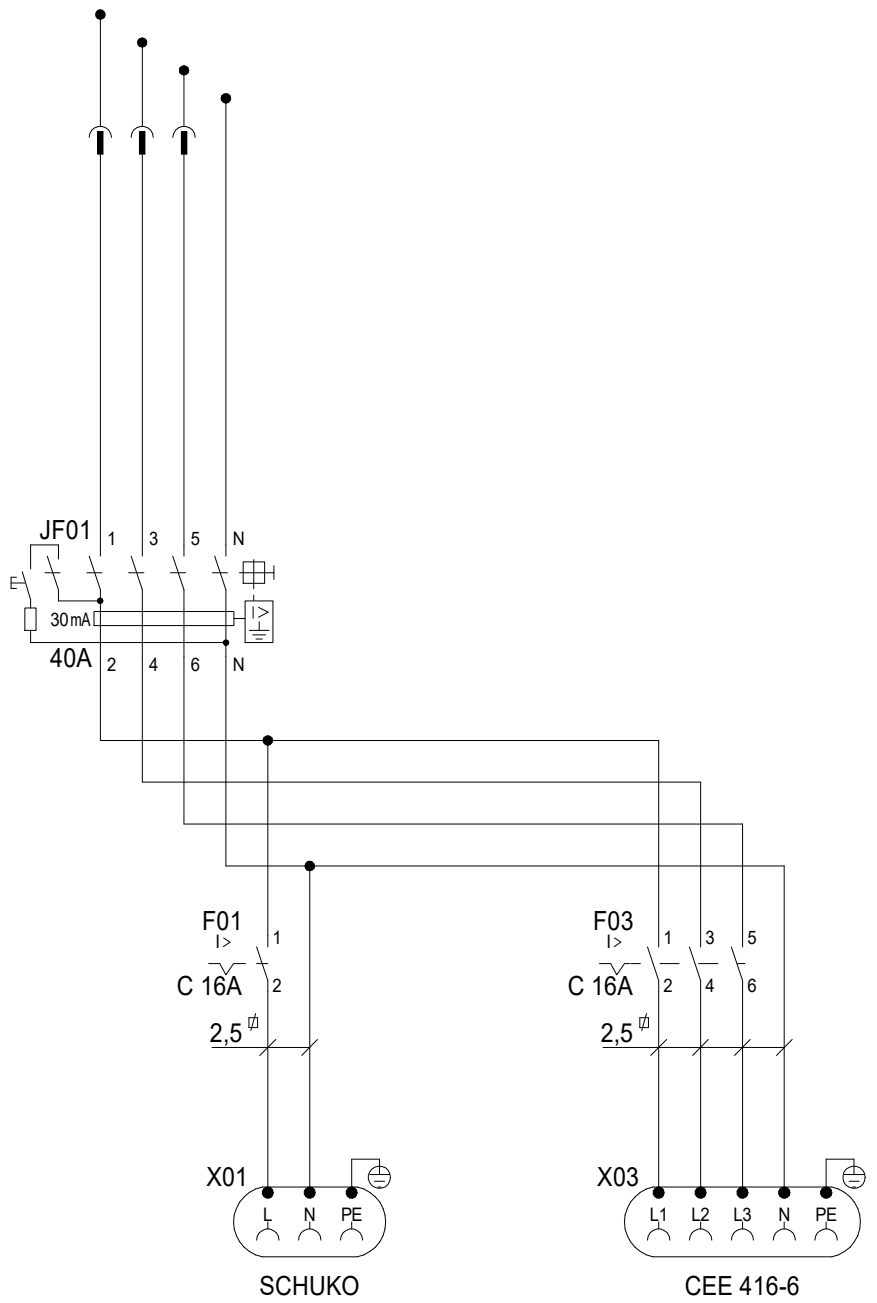
EL-BJÖRN 
www.elbjorn.com

RITAD A/DRAWN BY
CGDATUM/DATE
210125

SIGN

REVISION/ISSUE
A*NEXT SHEET
2SHEET
1RITNING NR./DRAWING
EB15527

A B C D E F G H J K



ARTIKELNR./ ARTICLE NO. EB15527			
MÄRKSTRÖM/ CURRENT RATING 63 A			
SPÄNNING/ VOLTAGE 400 V			
MEASURING EQUIPMENT			
CURR.- TRAFO- SPACE	ENERGY- METER- SPACE		
FAST ANSLUTNING/ FIXED CONNECTIONS			
<125A	>125A		
CEE-OUTLETS 3-POLE			
16A	32A	63A	125A
SCHUKO OUTLETS			
16A			
1			
CEE-OUTLETS 4-POLE			
16A	32A	63A	125A
1			
CEE-OUTLETS 5-POLE/400V			
16A	32A	63A	125A
1			
JFB/RCD/RCBO			
0,01A	0,03A	0,1A	
1			
JFB/RCD/RCBO			
0,3A	0,5A	Variable	
VIKT/WEIGHT			
kg			

This drawing is property of El-Björn. May not be copied, shown or distributed without our written permission.

UMK 63//11-1 EN



RITAD A/DRAWN BY CG	DATUM/DATE 210125	NEXT SHEET 3	SHEET 2
SIGN	REVISION/ISSUE A*	RITNING/NR./DRAWING EB15527	

A	B	C	D	E	F	G	H	J	K
PC.	Position	Description	Type	Manufacturer	Data	Article No.	E-number(SE)	ARTIKELNR./ ARTICLE NO. EB15527	
1	.	Uttagsmodul	UMK 63//101-1 EN	EI-Björn	100mm	EB15527		MÄRKSTRÖM/ CURRENT RATING 63 A	
1	F01	MCB	iC60H 1P 10kA	Schneider Electric	C 16A	A9F07116	2112130	SPÄNNING/ VOLTAGE 400 V	
1	F03	MCB	iC60H 3P 10kA	Schneider Electric	C 16A	A9F07316	2112254	MEASURING EQUIPMENT	
1	JF01	RCD	iID 4P A	Schneider Electric	40A, 30mA	A9Z21440	2164955	CURR- TRAFO- SPACE	ENERGY- METER- SPACE
1	X01	Schukouttag	35218, Typ F, Skruv	Mennekes	16A, 230V, IP54	11020EB		FAST ANSLUTNING/ FIXED CONNECTIONS	
1	X03	Panelutttag	416RU6	ABB	16A, 400V, IP44	2CMA192642R1000	2416633	<125A	>125A
								CEE-OUTLETS 3-POLE	
								16A	32A
								63A	125A
								SCHUKO OUTLETS	
								16A	
								1	
								CEE-OUTLETS 4-POLE	
								16A	32A
								63A	125A
								CEE-OUTLETS 5-POLE/400V	
								16A	32A
								1	63A
								125A	
								JFB/RCD/RCBO	
								0,01A	0,03A
								0,1A	
								1	
								JFB/RCD/RCBO	
								0,3A	0,5A
								Variable	
								VIKT/WEIGHT	
									kg

This drawing is property of EI-Björn. May not be copied, shown or distributed without our written permission.

UMK 63//11-1 EN



RITAD AVIDRAWN BY CG	DATUM/DATE 210125	NEXT SHEET	SHEET 3
SIGN	REVISION/ISSUE A*	RITNING NR./DRAWING EB15527	