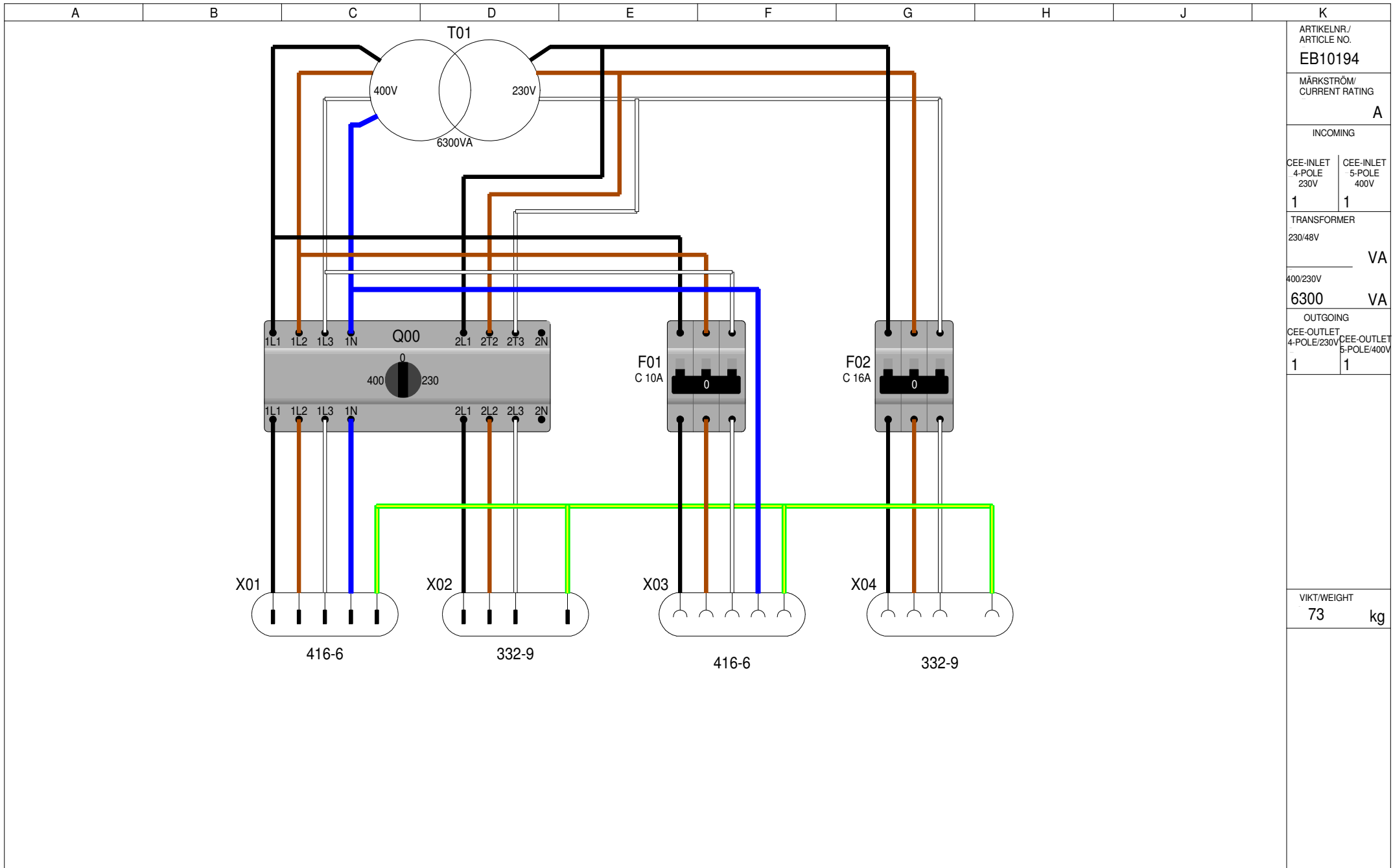


ARTIKELNR./ ARTICLE NO. EB10194	
MÄRKSTRÖM/ CURRENT RATING A	
INCOMING	
CEE-INLET 4-POLE 230V	CEE-INLET 5-POLE 400V
1	1
TRANSFORMER 230/48V	
VA	VA
400/230V	
6300	VA
OUTGOING	
CEE-OUTLET 4-POLE/230V	CEE-OUTLET 5-POLE/400V
1	1

VIKT/WEIGHT
73 kg



ARTIKELNR./
ARTICLE NO.
EB10194

MÄRKSTRÖM/
CURRENT RATING
A

INCOMING
CEE-INLET 4-POLE 230V: **1**
CEE-INLET 5-POLE 400V: **1**

TRANSFORMER
230/48V: **VA**
400/230V: **6300 VA**

OUTGOING
CEE-OUTLET 4-POLE/230V: **1**
CEE-OUTLET 5-POLE/400V: **1**

VIKT/WEIGHT
73 kg

This drawing is property of El-Björn. May not be copied, shown or distributed without our written permission.

TRANSFORMATOR
TU 400-230 / 6,3kVA
230V/400V VENDBAR



RITAD AV/DRAWN BY CG	DATUM/DATE 131213	NEXT SHEET 3	SHEET 2
SIGN	REVISION/ISSUE A*	RITNINGS NR./DRAWING EB10194	

A	B	C	D	E	F	G	H	J	K
PC.	Position	Description	Type	Manufacturer	Data	Article No.	E-number(SE)		ARTIKELNR./ ARTICLE NO. EB10194
1	-	Kapsling	BT 948	El-Björn	690 x 965 x 450				MÄRKSTRÖM/ CURRENT RATING A
1	F01	Automatsäkring	PLSM, 10kA, 3P	Eaton	C 10A	242470	2141627		INCOMING
1	F02	Automatsäkring	PLSM, 10kA, 3P	Eaton	C 16A	242474	2141629		CEE-INLET 4-POLE 230V
1	Q00	Lastbrytare	KG32BT904/S-A714 E	Kraus & Naimer	32A, 4-P	KG32BT904/S-A714 E			CEE-INLET 5-POLE 400V
1	T01	Transformator	TTS-6,3-230+N/40	Transmotor	230/400V AC, 6300VA	TTS-6,3-230+N/40			TRANSFORMER 230/48V
1	X01	Väggintag	416BS6	ABB	16A, 400V, IP44	416BS6	1963333		400/230V
1	X02	Väggintag	332BS9	ABB	32A, 230V, IP44	332BS9	1963366		6300 VA
1	X03	Vägguttag	416RS6	ABB	16A, 400V, IP44	416RS6	1960933		OUTGOING
1	X04	Vägguttag	332RS9	ABB	32A, 230V, IP44	332RS9	1961026		CEE-OUTLET 4-POLE/230V
									CEE-OUTLET 5-POLE/400V
									VIKT/WEIGHT 73 kg

This drawing is property of El-Björn. May not be copied, shown or distributed without our written permission.

TRANSFORMATOR
TU 400-230 / 6,3kVA
230V/400V VENDBAR



RITAD AV/DRAWN BY CG	DATUM/DATE 131213	NEXT SHEET	SHEET 3
SIGN	REVISION/ISSUE A*	RITNINGS NR./DRAWING EB10194	