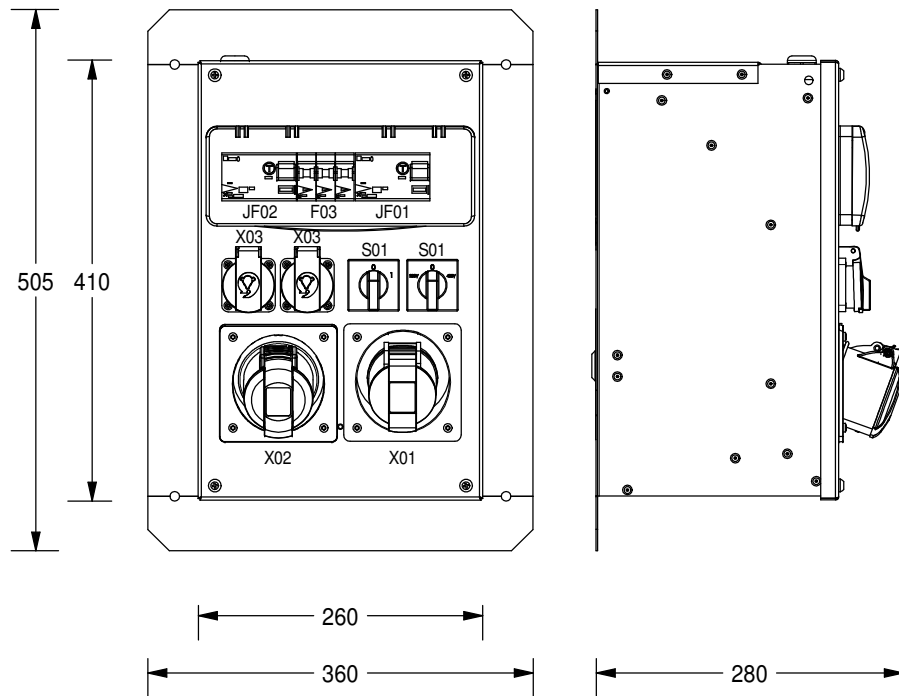


A B C D E F G H J K



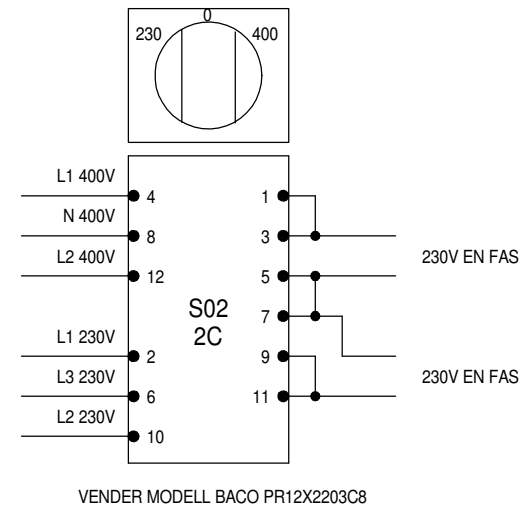
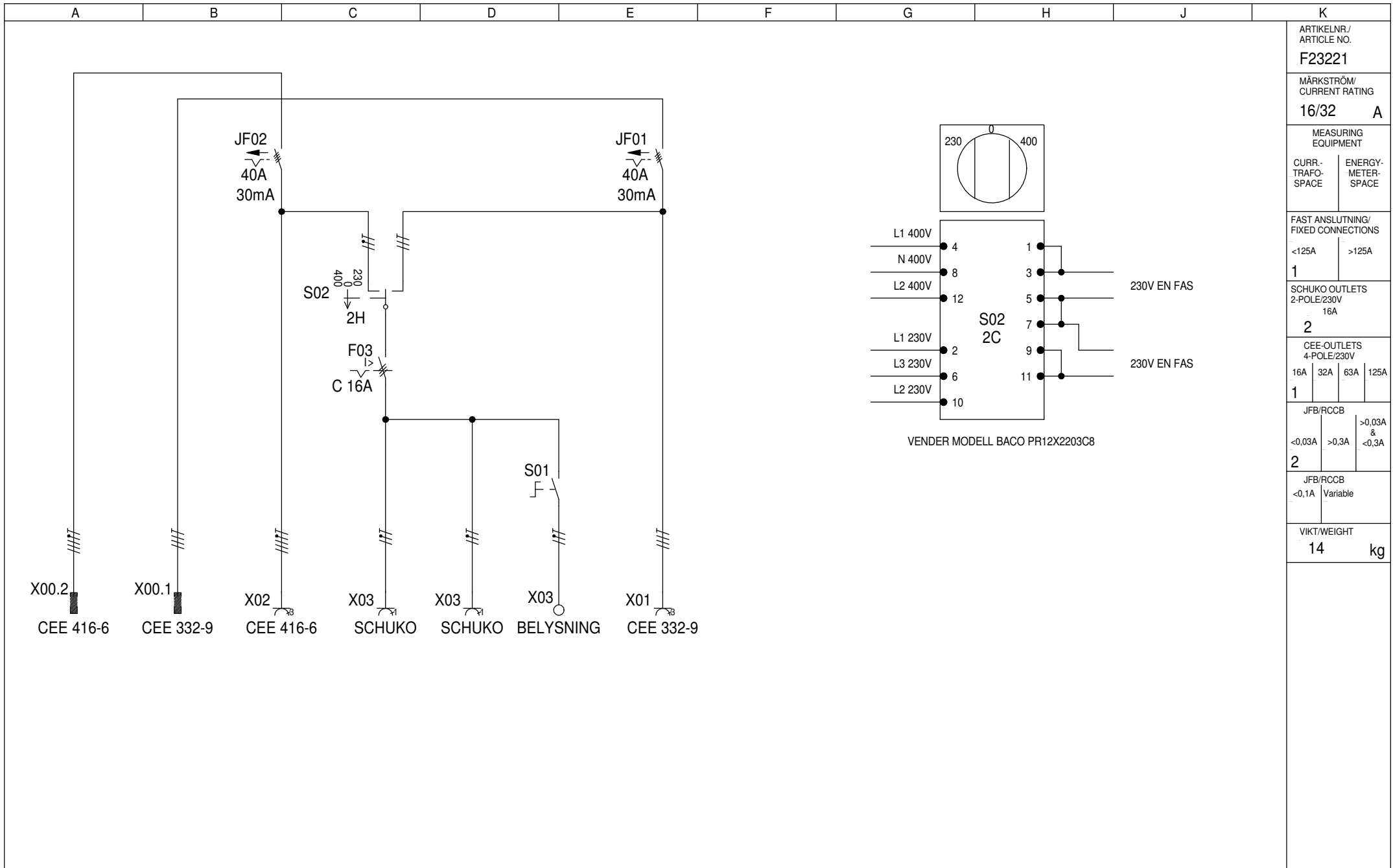
ARTIKELNR./ ARTICLE NO. F23221	
MÄRKSTRÖM/ CURRENT RATING 16/32 A	
MEASURING EQUIPMENT	
CURR- TRAFO- SPACE	ENERGY- METER- SPACE
FAST ANSLUTNING/ FIXED CONNECTIONS	
<125A	>125A
1	
SCHUKO OUTLETS 2-POLE/230V 16A	
2	
CEE-OUTLETS 4-POLE/230V	
16A	32A 63A 125A
1	
JFB/RCCB	>0,03A & <0,3A
<0,03A	>0,3A
2	
JFB/RCCB	Variable
<0,1A	Variable
VIKT/WEIGHT	
14	kg

This drawing is property of El-Björn. May not be copied, shown or distributed without our written permission.

U 32/16CO 230-400/1/211-2 EN NO
Norskt Art. Nr. 1570587



RITAD AV/DRAWN BY CG	DATUM/DATE 150114	NEXT SHEET 2	SHEET 1
SIGN	REVISION/ISSUE A*	RITNINGS NR./DRAWING F23221	



ARTIKELNR./ ARTICLE NO. F23221	
MÄRKSTRÖM/ CURRENT RATING 16/32 A	
MEASURING EQUIPMENT	
CURR- TRAF0- SPACE	ENERGY- METER- SPACE
FAST ANSLUTNING/ FIXED CONNECTIONS	
<125A	>125A
1	
SCHUKO OUTLETS 2-POLE/230V 16A	
2	
CEE-OUTLETS 4-POLE/230V	
16A	32A 63A 125A
1	
JFB/RCCB	
<0,03A	>0,3A >0,03A & <0,3A
2	
JFB/RCCB	
<0,1A	Variable
VIKT/WEIGHT	
14	kg

This drawing is property of El-Björn. May not be copied, shown or distributed without our written permission.

U 32/16CO 230-400/1/211-2 EN NO
Norskt Art. Nr. 1570587



RITAD AV/DRAWN BY CG	DATUM/DATE 150114	NEXT SHEET 3	SHEET 2
SIGN	REVISION/ISSUE A*	RITNINGS NR./DRAWING F23221	

A	B	C	D	E	F	G	H	J	K
PC.	Position	Description	Type	Manufacturer	Data	Article No.	E-number(SE)		ARTIKELNR/ ARTICLE NO. F23221
1		Containercentral	Stor	El-Björn	360 x 505 x 280				MÄRKSTRÖM/ CURRENT RATING 16/32 A
1	F03	Automatsäkring	PLSM, 10kA, 3P	Eaton	C 16A	242474	2141629		MEASURING EQUIPMENT
2	JF01, JF02	Jordfelsbrytare	PFIM, 4-P	Eaton	40A, 30mA	235439	2162237		CURR- TRAFO- SPACE
1	S01	Kamströmställare	0-1	Baco	20A, 2-P	PR121102A8			ENERGY- METER- SPACE
1	S02	Kamströmställare	1-0-2	Baco	20A, 3-P	PR122203C8			FAST ANSLUTNING/ FIXED CONNECTIONS
1	X00.1	Panelintag	332BU9	ABB	32A, 230V, IP44	332BU9	1964016		<125A
1	X00.2	Panelintag	416BU6	ABB	16A, 400V, IP44	416BU6	1963883		>125A
1	X01	Paneluttag	332RAU9	ABB	32A, 230V, IP44	332RAU9	1961666		1
1	X02	Paneluttag	416RAU6	ABB	16A, 400V, IP44	416RAU6	1961583		SCHUKO OUTLETS 2-POLE/230V 16A 2
2	X03	Schukouttag	35218, Typ F, Skruv	Mennekes	16A, 230V, IP54	11020EB			CEE-OUTLETS 4-POLE/230V 16A 32A 63A 125A 1
1		Radplint	Grå	Schneider Electric	4mm ²	NSYTRV42	2916254		JFB/RCCB >0,03A & <0,3A 2
1		Radplint	Blå	Schneider Electric	4mm ²	NSYTRV42BL	2916255		JFB/RCCB <0,1A Variable
1		Radplint	Gul/Grön	Schneider Electric	4mm ²	NSYTRV42PE	2916257		VIKT/WEIGHT 14 kg

This drawing is property of El-Björn. May not be copied, shown or distributed without our written permission.

U 32/16CO 230-400/1/211-2 EN NO
Norskt Art. Nr. 1570587

EL-BJÖRN 
www.elbjorn.com

RITAD AV/DRAWN BY CG	DATUM/DATE 150114	NEXT SHEET	SHEET 3
SIGN	REVISION/ISSUE A*	RITNINGS NR./DRAWING F23221	