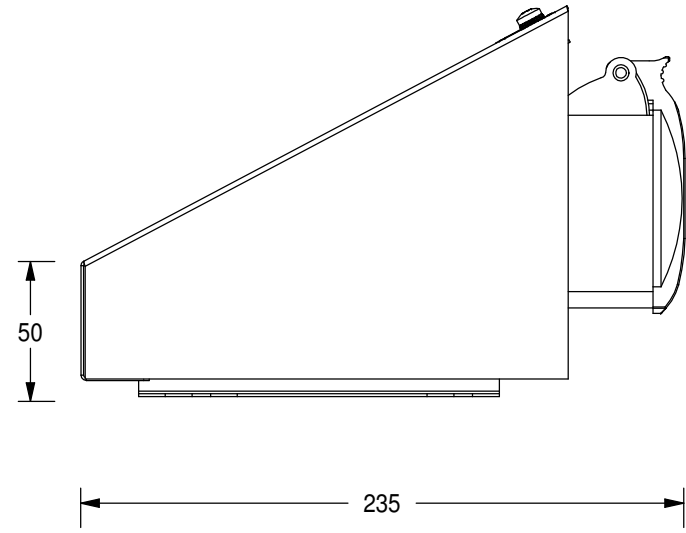
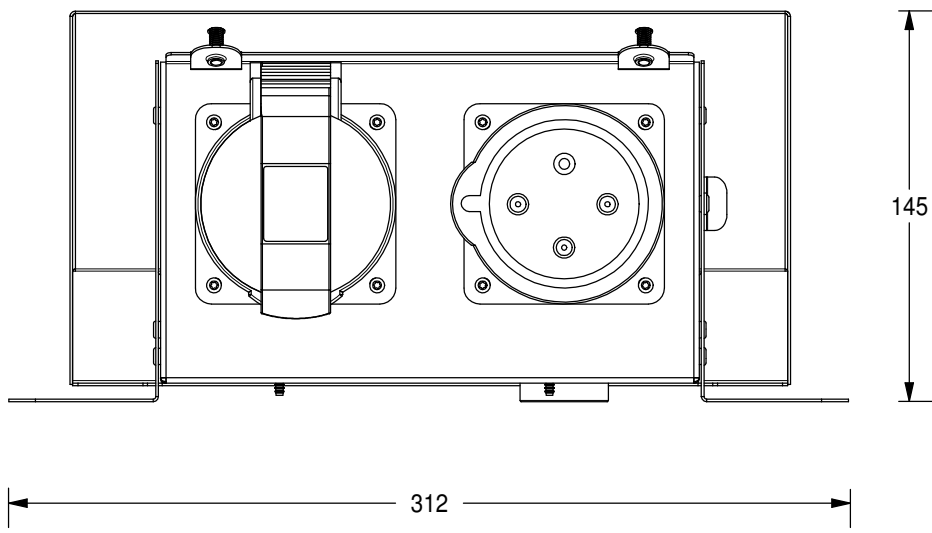


A B C D E F G H J K



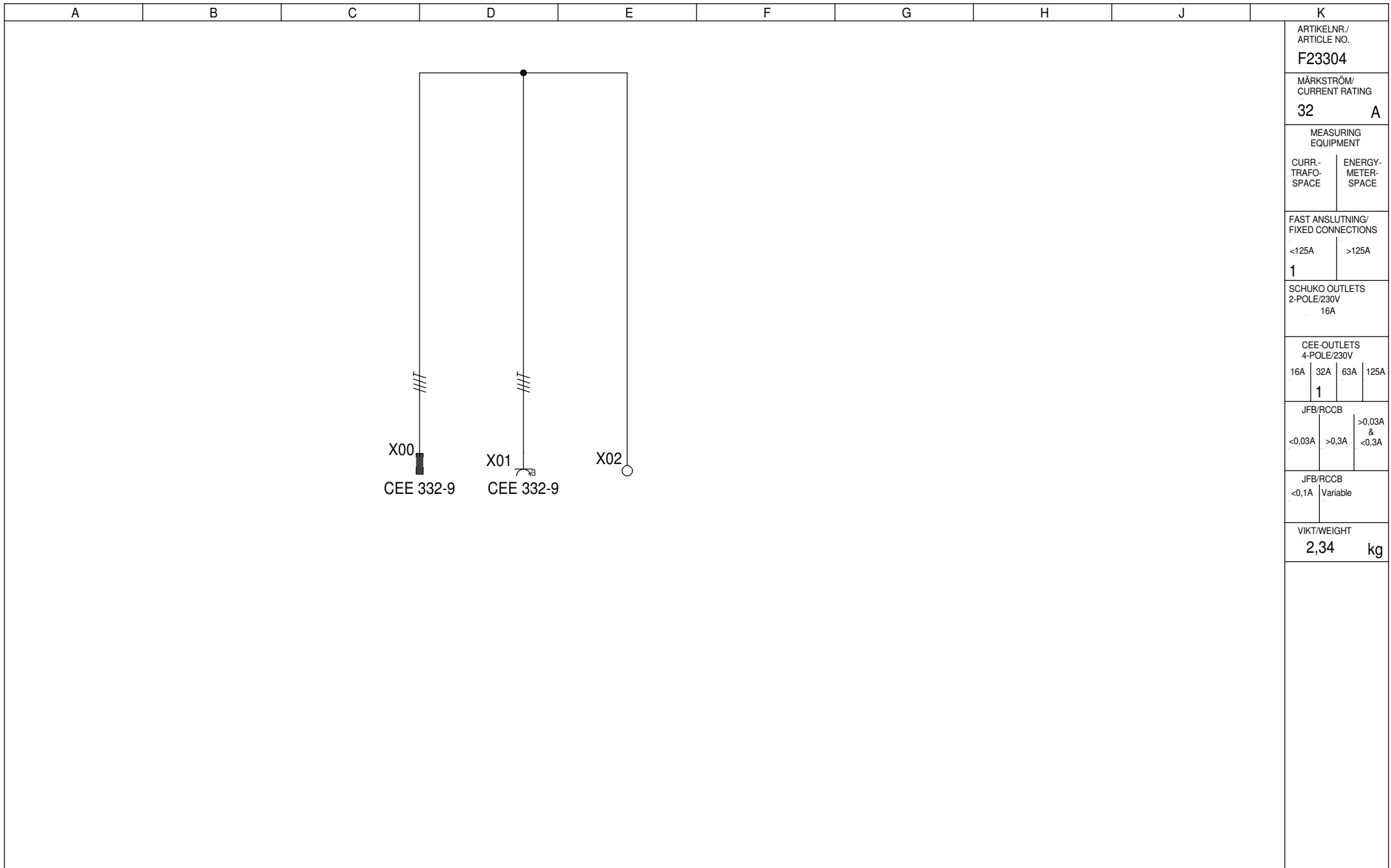
ARTIKELNR./ ARTICLE NO. F23304	
MÄRKSTRÖM/ CURRENT RATING 32 A	
MEASURING EQUIPMENT	
CURR- TRAFO- SPACE	ENERGY- METER- SPACE
FAST ANSLUTNING/ FIXED CONNECTIONS	
<125A	>125A
1	
SCHUKO OUTLETS 2-POLE/230V 16A	
CEE-OUTLETS 4-POLE/230V	
16A	32A 63A 125A
1	
JFB/RCCB	
<0,03A	>0,3A >0,03A & <0,3A
JFB/RCCB	
<0,1A	Variable
VIKT/WEIGHT	
2,34 kg	

This drawing is property of El-Björn. May not be copied, shown or distributed without our written permission.

U 32BI 230/1/001 NO
Norskt Art. Nr. 1550185



RITAD AV/DRAWN BY CG	DATUM/DATE 150115	NEXT SHEET 2	SHEET 1
SIGN	REVISION/ISSUE A*	RITNINGS NR./DRAWING F23304	



This drawing is property of El-Björn. May not be copied, shown or distributed without our written permission.

U 32BI 230/1/001 NO
Norskt Art. Nr. 1550185



RITAD AV/DRAWN BY CG	DATUM/DATE 150115	NEXT SHEET 3	SHEET 2
SIGN	REVISION/ISSUE A*	RITNINGS NR./DRAWING F23304	

A	B	C	D	E	F	G	H	J	K
PC.	Position	Description	Type	Manufacturer	Data	Article No.	E-number(SE)		ARTIKELNR./ ARTICLE NO. F23304
1		Kapsling	Bodintagslåda	El-Björn	312 x 145 x 235				MÄRKSTRÖM/ CURRENT RATING 32 A
1	X00	Panelintag	332BU9	ABB	32A, 230V, IP44	332BU9	1964016		MEASURING EQUIPMENT
1	X01	Paneluttag	332RU9	ABB	32A, 230V, IP44	332RU9	1961616		CURR- TRAFO- SPACE
1	X02	Jordplint	3 x 6/10 Fjäder	Wago		2006-1307			ENERGY- METER- SPACE
1		Kopplingsplint	3 x 6/10 Fjäder	Wago	Blå	2006-1304			FAST ANSLUTNING/ FIXED CONNECTIONS
3		Kopplingsplint	3 x 6/10 Fjäder	Wago	Grå	2006-1301			<125A
1		Ändplatta		Wago	Orange	2006-1392			>125A
1		Ändstöd		Wago	Grå	249-116			1
									SCHUKO OUTLETS 2-POLE/230V 16A
									CEE-OUTLETS 4-POLE/230V
									16A 32A 63A 125A
									1
									JFB/RCCB
									<-0,03A >0,3A >0,03A & <-0,3A
									JFB/RCCB
									<-0,1A Variable
									VIKT/WEIGHT
									2,34 kg

This drawing is property of El-Björn. May not be copied, shown or distributed without our written permission.

U 32BI 230/1/001 NO

Norskt Art. Nr. 1550185



RITAD AV/DRAWN BY
CG

SIGN

DATUM/DATE
150115

REVISION/ISSUE
A*

NEXT SHEET

SHEET
3

RITINGS NR./DRAWING
F23304