

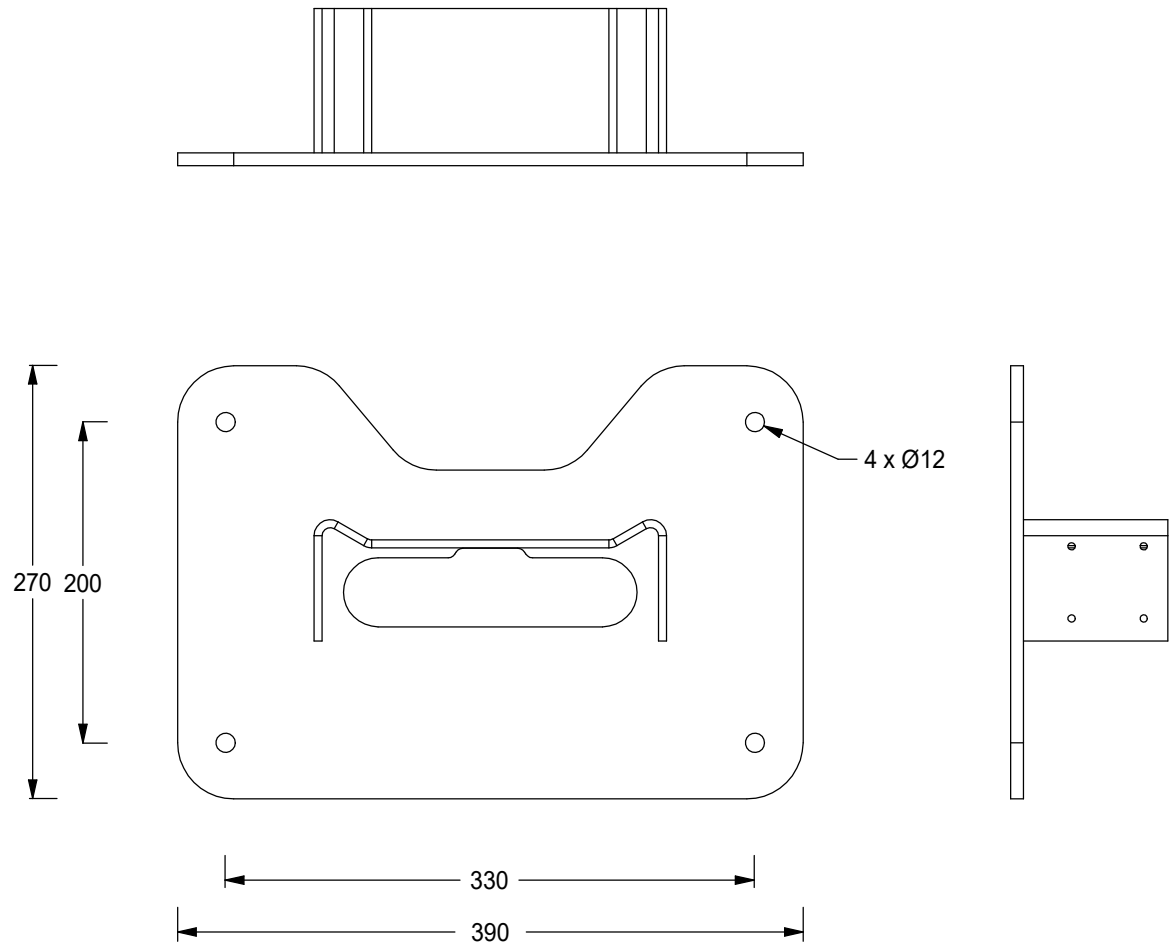
ARTIKELNR/ ARTICLE NO. EB10134	
MÄRKSTRÖM/ CURRENT RATING 32 A	
MEASURING EQUIPMENT	
CURR- TRAFO- SPACE	ENERGY- METER- SPACE
FAST ANSLUTNING/ FIXED CONNECTIONS <125A >125A	
CEE-OUTLETS 3-POLE/230V 16A 32A 63A 125A 4	
SCHUKO OUTLETS 2-POLE/230V 16A	
CEE-OUTLETS 5-POLE/400V 16A 32A 63A 125A	
JFB/RCCB <0,03A >0,3A >0,03A & <0,3A 5	
JFB/RCCB Variable	
VIKT/WEIGHT 15 kg	

This drawing is property of El-Björn. May not be copied, shown or distributed without our written permission.

UTAGSSTOLPE ALFA-II
Alfa-II 230/(4)-5 EN NO C



RITAD AV/DRAWN BY CG	DATUM/DATE 170419	NEXT SHEET 2	SHEET 1
SIGN	REVISION/ISSUE A*	RITINGS NR./DRAWING EB10134	



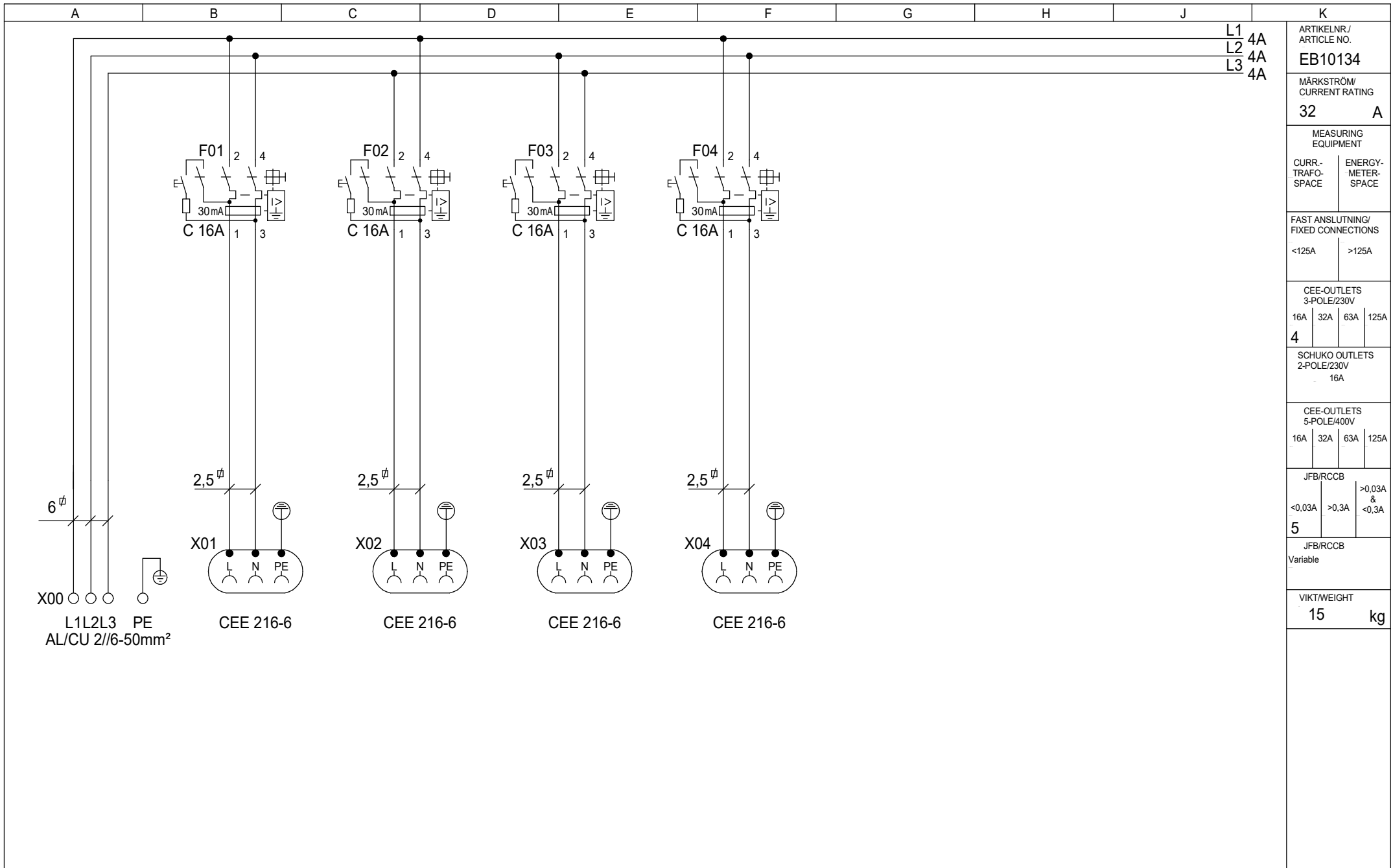
ARTIKELNR / ARTICLE NO. EB10134			
MÄRKSTRÖM / CURRENT RATING 32 A			
MEASURING EQUIPMENT			
CURR- TRAFO- SPACE	ENERGY- METER- SPACE		
FAST ANSLUTNING/ FIXED CONNECTIONS			
<125A	>125A		
CEE-OUTLETS 3-POLE/230V			
16A	32A	63A	125A
4			
SCHUKO OUTLETS 2-POLE/230V		16A	
CEE-OUTLETS 5-POLE/400V		16A 32A 63A 125A	
JFB/RCCB	>0,03A & <0,3A		
<0,03A	>0,3A		
5			
JFB/RCCB Variable			
VIKT/WEIGHT		15 kg	

This drawing is property of El-Björn. May not be copied, shown or distributed without our written permission.

UTTAGSSTOLPE ALFA-II
Alfa-II 230/(4)-5 EN NO C



RITAD AV/DRAWN BY CG	DATUM/DATE 170419	NEXT SHEET 3	SHEET 2
SIGN	REVISION/ISSUE A*	RITINGS NR./DRAWING EB10134	



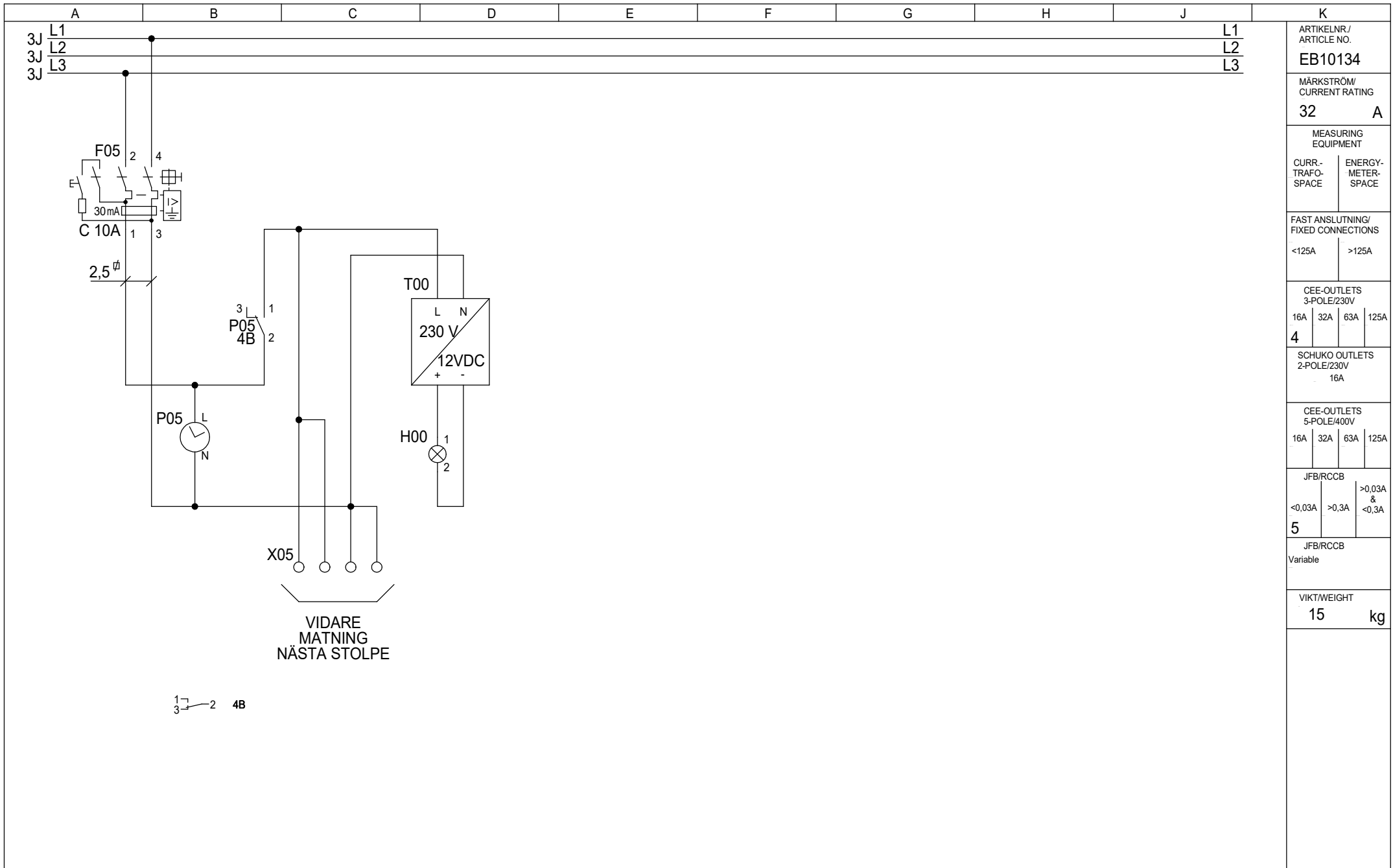
ARTIKELNR./ ARTICLE NO. EB10134			
MÄRKSTRÖM/ CURRENT RATING 32 A			
MEASURING EQUIPMENT			
CURR- TRAFO- SPACE	ENERGY- METER- SPACE		
FAST ANSLUTNING/ FIXED CONNECTIONS			
<125A	>125A		
CEE-OUTLETS 3-POLE/230V			
16A	32A	63A	125A
4			
SCHUKO OUTLETS 2-POLE/230V 16A			
CEE-OUTLETS 5-POLE/400V			
16A	32A	63A	125A
JFB/RCCB	>0,03A & <0,3A		
<0,03A	>0,3A		
5			
JFB/RCCB Variable			
VIKT/WEIGHT			
15		kg	

This drawing is property of El-Björn. May not be copied, shown or distributed without our written permission.

UTTAGSSTOLPE ALFA-II
Alfa-II 230/(4)-5 EN NO C



RITAD AV/DRAWN BY CG	DATUM/DATE 170419	NEXT SHEET 4	SHEET 3
SIGN	REVISION/ISSUE A*	RITINGS NR./DRAWING EB10134	



ARTIKELNR /
ARTICLE NO.
EB10134

MÄRKSTRÖM /
CURRENT RATING
32 **A**

MEASURING EQUIPMENT	
CURR-TRAFO-SPACE	ENERGY-METER-SPACE

FAST ANSLUTNING / FIXED CONNECTIONS	
<125A	>125A

CEE-OUTLETS 3-POLE/230V			
16A	32A	63A	125A
4			

SCHUKO OUTLETS 2-POLE/230V	
16A	

CEE-OUTLETS 5-POLE/400V			
16A	32A	63A	125A

JFB/RCCB		
<0,03A	>0,3A	>0,03A & <0,3A
5		

JFB/RCCB	
Variable	

VIKT/WEIGHT	
15	kg

This drawing is property of El-Björn. May not be copied, shown or distributed without our written permission.

UTTAGSSTOLPE ALFA-II
Alfa-II 230/(4)-5 EN NO C



RITAD AV/DRAWN BY CG	DATUM/DATE 170419	NEXT SHEET 5	SHEET 4
SIGN	REVISION/ISSUE A*	RITINGS NR./DRAWING EB10134	

A	B	C	D	E	F	G	H	J	K
PC.	Position	Description	Type	Manufacturer	Data	Article No.	E-number(SE)	ARTIKELNR/ ARTICLE NO. EB10134	
1	-	Alfa-II Stolpe	Standard	El-Björn	18mod, IP44	H23395		MÄRKSTRÖM/ CURRENT RATING 32 A	
2		Contact Plate	2*216-6	El-Björn		195019		MEASURING EQUIPMENT	
4	F01-F04	RCBO	PKPM2-16/2/C/003-A	Eaton	C 16A, 30mA	108111	2162432	CURR- TRAF0- SPACE	
1	F05	RCBO	PKPM2-10/2/C/003-A	Eaton	C 10A, 30mA	108109	2162430	ENERGY- METER- SPACE	
1	H00	LED Strip	AL-IEP2-NW	Agolux	4000-4500 Kelvin	2490353		FAST ANSLUTNING/ FIXED CONNECTIONS	
1	P05	Astrour	TSDW1COA	Eaton	1-Kan	167381		<125A >125A	
1	T00	LED Driver	SLT15-12VF-2	Agolux	12V DC, 1,25A, 15W	SLT15-12VF-2		CEE-OUTLETS 3-POLE/230V 16A 32A 63A 125A 4	
3	X00	Plint	KE 66	Ensto	AL/CU 2//6-50mm ²		2673561	SCHUKO OUTLETS 2-POLE/230V 16A	
1		Plint	KE 66.3	Ensto	AL/CU 2//6-50mm ²		2673563	CEE-OUTLETS 5-POLE/400V 16A 32A 63A 125A	
4	X01-X04	Paneluttag	216-6 (35223)	Mennekes	16A, 230V, IP44	851		JFB/RCCB <0,03A >0,3A >0,03A & <0,3A 5	
2	X05	Radplint	NSYTRV42	Schneider Electric	4mm ²		2916254	JFB/RCCB Variable	
2		Radplint	NSYTRV42BL	Schneider Electric	4mm ²		2916255	VIKT/WEIGHT 15 kg	
1		Radplint	NSYTRV42PE	Schneider Electric	4mm ²		2916257		

This drawing is property of El-Björn. May not be copied, shown or distributed without our written permission.

UTTAGSSTOLPE ALFA-II
Alfa-II 230V(4)-5 EN NO C



RITAD AV/DRAWN BY CG	DATUM/DATE 170419	NEXT SHEET	SHEET 5
SIGN	REVISION/ISSUE A*	RITNINGS NR./DRAWING EB10134	