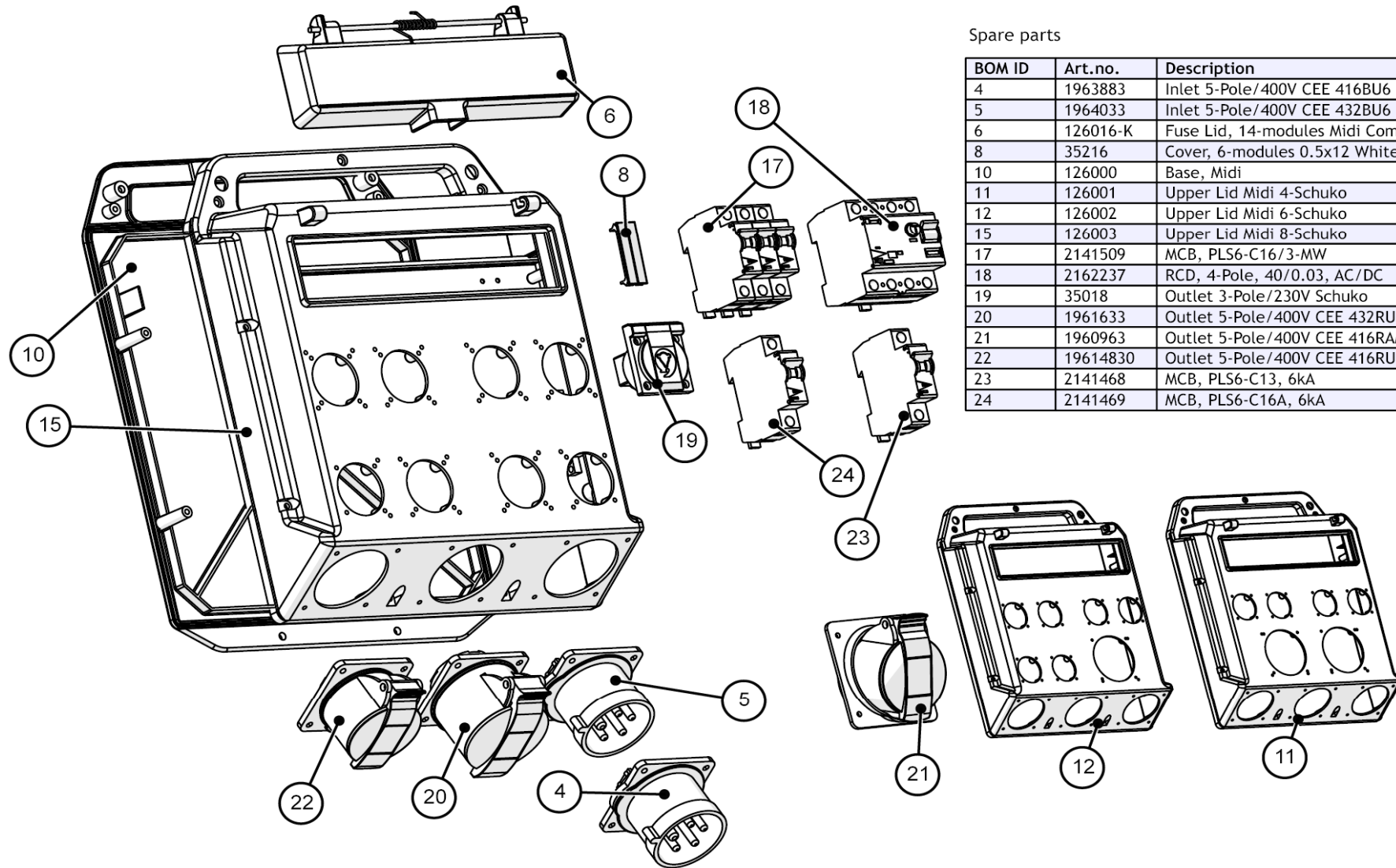


Midi



Spare parts

BOM ID	Art.no.	Description
4	1963883	Inlet 5-Pole/400V CEE 416BU6
5	1964033	Inlet 5-Pole/400V CEE 432BU6
6	126016-K	Fuse Lid, 14-modules Midi Complete
8	35216	Cover, 6-modules 0.5x12 White
10	126000	Base, Midi
11	126001	Upper Lid Midi 4-Schuko
12	126002	Upper Lid Midi 6-Schuko
15	126003	Upper Lid Midi 8-Schuko
17	2141509	MCB, PLS6-C16/3-MW
18	2162237	RCD, 4-Pole, 40/0.03, AC/DC
19	35018	Outlet 3-Pole/230V Schuko
20	1961633	Outlet 5-Pole/400V CEE 432RU6
21	1960963	Outlet 5-Pole/400V CEE 416RAM6
22	19614830	Outlet 5-Pole/400V CEE 416RU6
23	2141468	MCB, PLS6-C13, 6kA
24	2141469	MCB, PLS6-C16A, 6kA