

INSTRUKSJONER TIL BRUKERE AV MIDLERTIDIGE ELEKTRISKE ANLEGG

1. En kompetent person skal ha tilsyn med anlegget og være ansvarlig for driften. Feil bruk av det elektriske anlegget kan medføre fare for personskade og brann.
2. Sentralen skal plasseres loddrett eller på stativ, og med fritt betjeningsområde foran sentralen.
3. Faste tilkoblinger av kabler og bytte av sikringer skal bare utføres av fagfolk. Ved fast tilkobling av gummikabler skal strekkavlastningens klemflate være utført i isolasjonsmateriale. Ikke-fagfolk skal kun betjene jordfeilbryter, automatsikring og uttak for stikkontakter.
4. Sentralens dører skal være lukket og om nødvendig også låst. Dørene skal bare åpnes ved betjening av sentralen.
5. Elektriske apparater som er koblet til sentralen, skal kobles fra eller gjøres spenningsløse når de ikke er i bruk, for å unngå utilsiktet igangsetting eller anven delse av disse.
6. De elektriske apparatene som brukes, må oppfylle forskriftene og skal enten være utstyrt med ekstra isolasjon eller, i klasse 1-utførelse, med jordet stikkontakt.
7. Kabler må legges slik at de ikke blir skadet. Det gjelder kabler både innenfor og utenfor dørene.
8. Kabler eller apparater med feil skal frakobles og ikke tas i bruk igjen før de defekte delene er skiftet eller reparert.
9. Knivsikring må bare byttes av kompetent personale.

INSTRUCTIONS FOR USERS OF TEMPORARY ELECTRICAL INSTALLATIONS

1. Operation of the installation must be supervised by an authorised person. Incorrect use of the electrical installation could mean risk of personal injury and fire.
2. The distribution unit must be installed vertical or on a stand so that there is free access in front of the unit.
3. Permanent cable connection or replacement of fuses may only be carried out by qualified personnel. Permanently connected rubber-insulated cables must be secured with a restraint that has an insulating gripping surface. Unqualified personnel may only operate earth leakage circuit breakers, miniature circuit breakers and plug sockets.
4. Distribution unit doors must be closed and, where required, also locked. Doors must only be left open when carrying out work on the distribution unit.
5. Electrical equipment that is connected to distribution units must be disconnected or switched off when not in use in order to avoid unintentional starting up or switching on.
6. Electrical equipment that is used must comply with the requirements and must either have additional insulation or comply with class I and have an earthed plug.
7. Cables inside and outside the doors must be routed so as to avoid damaging them.
8. Cables or equipment that are defective must be disconnected and not used until the defective parts have been replaced or repaired.
9. Blade fuses may only be replaced by personnel who have the necessary training.

ARTIKELNR / ARTICLE NO. EB13806			
MÅRKSTRØM/ CURRENT RATING 32		A	
SPÅNNING/ VOLTAGE 230		V	
MEASURING EQUIPMENT			
CURR- TRAFO- SPACE	ENERGY- METER- SPACE		
FAST ANSLUTNING/ FIXED CONNECTIONS			
<125A		>125A	
CEE-OUTLETS 3-POLE			
16A	32A	63A	125A
SCHUKO OUTLETS			
16A			
4			
CEE-OUTLETS 4-POLE			
16A	32A	63A	125A
1	1		
CEE-OUTLETS 5-POLE/400V			
16A	32A	63A	125A
JFB/RCD/RCBO			
0,01A	0,03A	0,1A	
1			
JFB/RCD/RCBO			
0,3A	0,5A	Variable	
VIKT/WEIGHT			
3,2			kg

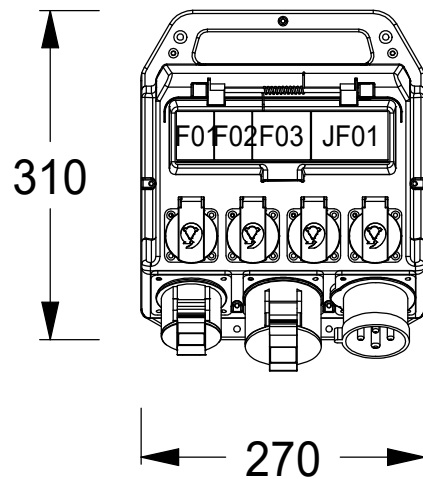
This drawing is property of El-Björn. May not be copied, shown or distributed without our written permission.

U 32MINI 230//411-1 EN



RITAD AV/DRAWN BY CG	DATUM/DATE 180925	NEXT SHEET 2	SHEET 1
SIGN	REVISION/ISSUE A*	RITINGS NR./DRAWING EB13806	

A	B	C	D	E	F	G	H	J	K
---	---	---	---	---	---	---	---	---	---



ARTIKELNR /
ARTICLE NO.
EB13806

MÄRKSTRÖM /
CURRENT RATING
32 A

SPÄNNING /
VOLTAGE
230 V

MEASURING
EQUIPMENT
CURR-
TRAFO-
SPACE ENERGY-
METER-
SPACE

FAST ANSLUTNING /
FIXED CONNECTIONS
<125A >125A

CEE-OUTLETS
3-POLE
16A 32A 63A 125A

SCHUKO OUTLETS
16A
4

CEE-OUTLETS
4-POLE
16A 32A 63A 125A
1 1

CEE-OUTLETS
5-POLE/400V
16A 32A 63A 125A

JFB/RCD/RCBO
0,01A 0,03A 0,1A
1

JFB/RCD/RCBO
0,3A 0,5A Variable

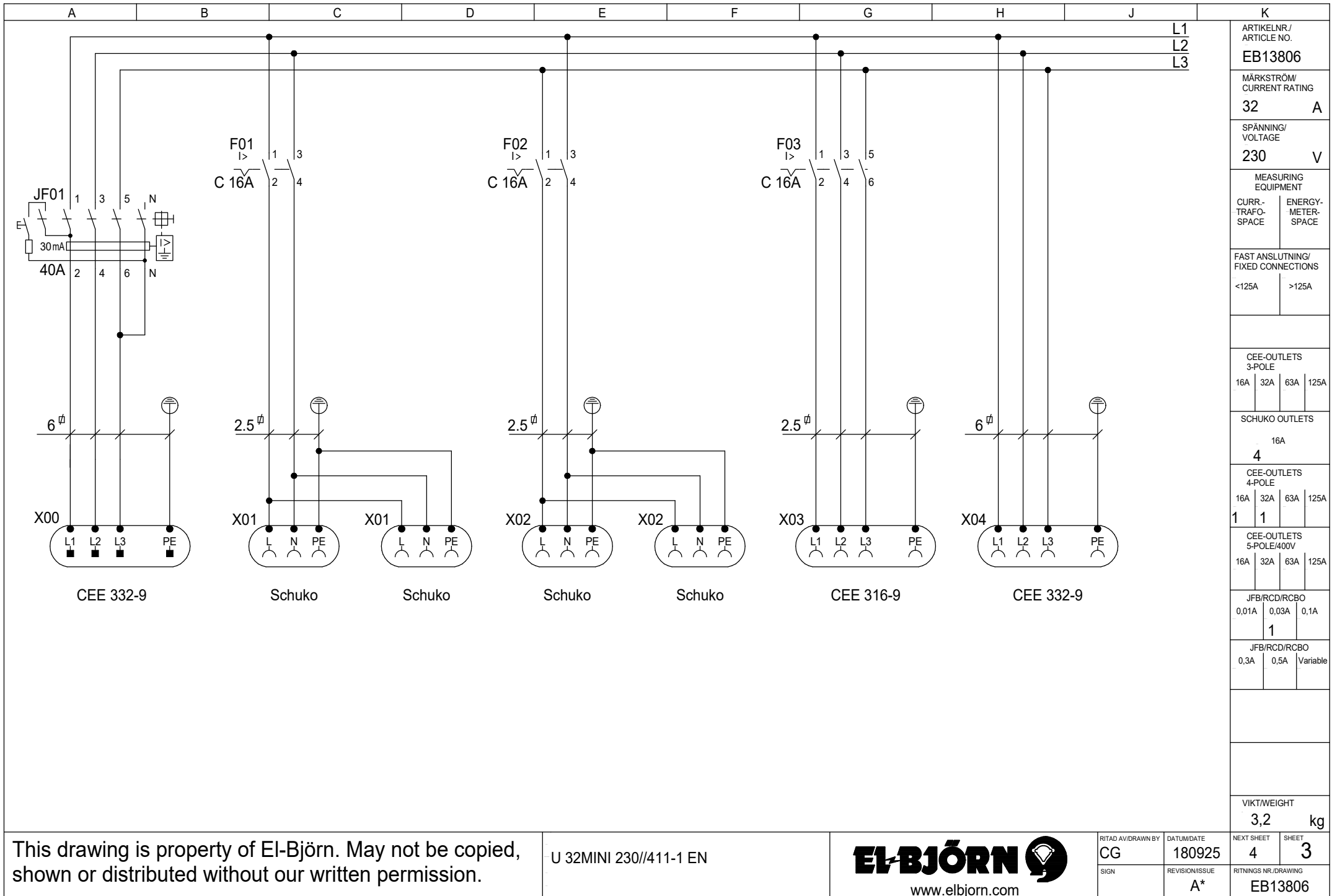
VIKT/WEIGHT
3,2 kg

This drawing is property of El-Björn. May not be copied, shown or distributed without our written permission.

U 32MINI 230//411-1 EN



RITAD AV/DRAWN BY CG	DATUM/DATE 180925	NEXT SHEET 3	SHEET 2
SIGN	REVISION/ISSUE A*	RITNING NR./DRAWING EB13806	



ARTIKELNR./ ARTICLE NO.		EB13806	
MÄRKSTRÖM/ CURRENT RATING		32	A
SPÄNNING/ VOLTAGE		230	V
MEASURING EQUIPMENT			
CURR- TRAF0- SPACE	ENERGY- METER- SPACE		
FAST ANSLUTNING/ FIXED CONNECTIONS			
<125A	>125A		
CEE-OUTLETS 3-POLE			
16A	32A	63A	125A
SCHUKO OUTLETS			
16A			
4			
CEE-OUTLETS 4-POLE			
16A	32A	63A	125A
1	1		
CEE-OUTLETS 5-POLE/400V			
16A	32A	63A	125A
JFB/RCD/RCBO			
0,01A	0,03A	0,1A	
1			
JFB/RCD/RCBO			
0,3A	0,5A	Variable	
VIKT/WEIGHT			
3,2			kg

This drawing is property of El-Björn. May not be copied, shown or distributed without our written permission.

U 32MINI 230//411-1 EN



RITAD AV/DRAWN BY	DATUM/DATE	NEXT SHEET	SHEET
CG	180925	4	3
SIGN	REVISION/ISSUE	RITINGS NR./DRAWING	
	A*	EB13806	

A	B	C	D	E	F	G	H	J	K
PC.	Position	Description	Type	Manufacturer	Data	Article No.	E-number(SE)		ARTIKELNR/ ARTICLE NO. EB13806
1	-	Underdel	Mini	El-Björn AB	310x270x115mm	35000			MÄRKSTRÖM/ CURRENT RATING 32 A
1		Överdel	Mini	El-Björn AB	11mod	35004			SPÄNNING/ VOLTAGE 230 V
2		Säkringslock	Mini	El-Björn AB	11mod	35016			MEASURING EQUIPMENT CURR- TRAFO- SPACE ENERGY- METER- SPACE
1		Axel	Säkringslock	El-Björn AB	4x158mm	30110			FAST ANSLUTNING/ FIXED CONNECTIONS <125A >125A
2	F01, F02	MCB	PLSM-C16/2	Eaton	10kA, 2P, C 16A	242405	2141609		CEE-OUTLETS 3-POLE 16A 32A 63A 125A
1	F03	MCB	PLSM-C16/3	Eaton	10kA, 3P, C 16A	242474	2141629		SCHUKO OUTLETS 16A 4
1	JF01	RCD	PFIM-40/4/003-A-SVP	Eaton	40A, 30mA, 4P, A	110781	2162237		CEE-OUTLETS 4-POLE 16A 32A 63A 125A 1 1 1
1	X00	Intag	332BU9	ABB	32A, 230V, IP44	2CMA193444R1000	2417345		CEE-OUTLETS 5-POLE/400V 16A 32A 63A 125A
4	X01, X02	Schukouttag	Typ F	Mennekes	230V, 16A, IP54	11020EB			JFB/RCD/RCBO 0,01A 0,03A 0,1A 1
1	X03	Uttag	316RU9	ABB	16A, 230V, IP44	2CMA193180R1000	2416628		JFB/RCD/RCBO 0,3A 0,5A Variable
1	X04	Uttag	332RU9	ABB	32A, 230V, IP44	2CMA193252R1000			
									VIKT/WEIGHT 3,2 kg

This drawing is property of El-Björn. May not be copied, shown or distributed without our written permission.

U 32MINI 230//411-1 EN



RITAD AV/DRAWN BY
CG

DATUM/DATE
180925

NEXT SHEET
4

SIGN

REVISION/ISSUE
A*

RITNING NR./DRAWING
EB13806