

INSTRUKSJONER TIL BRUKERE AV MIDLERTIDIGE ELEKTRISKE ANLEGG

1. En kompetent person skal ha tilsyn med anlegget og være ansvarlig for driften. Feil bruk av det elektriske anlegget kan medføre fare for personskade og brann.
2. Sentralen skal plasseres loddrett eller på stativ, og med fritt betjeningsområde foran sentralen.
3. Faste tilkoblinger av kabler og bytte av sikringer skal bare utføres av fagfolk. Ved fast tilkobling av gummikabler skal strekkavlastningens klemflate være utført i isolasjonsmateriale. Ikke-fagfolk skal kun betjene jordfeilbryter, automatsikring og uttak for stikkontakter.
4. Sentralens dører skal være lukket og om nødvendig også låst. Dørene skal bare åpnes ved betjening av sentralen.
5. Elektriske apparater som er koblet til sentralen, skal kobles fra eller gjøres spenningsløse når de ikke er i bruk, for å unngå utilsiktet igangsetting eller anven delse av disse.
6. De elektriske apparatene som brukes, må oppfylle forskriftene og skal enten være utstyrt med ekstra isolasjon eller, i klasse 1-utførelse, med jordet stikkontakt.
7. Kabler må legges slik at de ikke blir skadet. Det gjelder kabler både innenfor og utenfor dørene.
8. Kabler eller apparater med feil skal frakobles og ikke tas i bruk igjen før de defekte delene er skiftet eller reparert.
9. Knivsikring må bare byttes av kompetent personale.

INSTRUCTIONS FOR USERS OF TEMPORARY ELECTRICAL INSTALLATIONS

1. Operation of the installation must be supervised by an authorised person. Incorrect use of the electrical installation could mean risk of personal injury and fire.
2. The distribution unit must be installed vertical or on a stand so that there is free access in front of the unit.
3. Permanent cable connection or replacement of fuses may only be carried out by qualified personnel. Permanently connected rubber-insulated cables must be secured with a restraint that has an insulating gripping surface. Unqualified personnel may only operate earth leakage circuit breakers, miniature circuit breakers and plug sockets.
4. Distribution unit doors must be closed and, where required, also locked. Doors must only be left open when carrying out work on the distribution unit.
5. Electrical equipment that is connected to distribution units must be disconnected or switched off when not in use in order to avoid unintentional starting up or switching on.
6. Electrical equipment that is used must comply with the requirements and must either have additional insulation or comply with class I and have an earthed plug.
7. Cables inside and outside the doors must be routed so as to avoid damaging them.
8. Cables or equipment that are defective must be disconnected and not used until the defective parts have been replaced or repaired.
9. Blade fuses may only be replaced by personnel who have the necessary training.

ARTIKELNR / ARTICLE NO. EB13809				
MÅRKSTRØM/ CURRENT RATING 63	A			
SPÅNNING/ VOLTAGE 230	V			
MEASURING EQUIPMENT				
CURR- TRAFO- SPACE	ENERGY- METER- SPACE			
FAST ANSLUTNING/ FIXED CONNECTIONS				
<125A	>125A			
CEE-OUTLETS 3-POLE				
16A	32A	63A	125A	
SCHUKO OUTLETS				
16A				
CEE-OUTLETS 4-POLE				
16A	32A	63A	125A	
CEE-OUTLETS 5-POLE/400V				
16A	32A	63A	125A	
JFB/RCD/RCBO 0,01A			0,03A	0,1A
			3	
JFB/RCD/RCBO 0,3A			0,5A	Variable
VIKT/WEIGHT 7,5 kg				

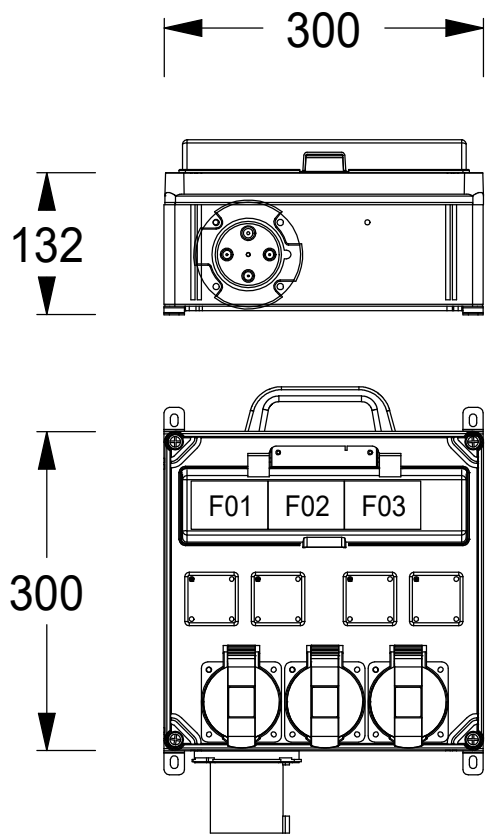
This drawing is property of El-Björn. May not be copied, shown or distributed without our written permission.

U 63MAXI 230//003-3 EN



RITAD AV/DRAWN BY CG	DATUM/DATE 180925	NEXT SHEET 2	SHEET 1
SIGN	REVISION/ISSUE A*	RITINGS NR./DRAWING EB13809	

A	B	C	D	E	F	G	H	J	K
---	---	---	---	---	---	---	---	---	---



ARTIKELNR /
ARTICLE NO.
EB13809

MÄRKSTRÖM /
CURRENT RATING
63 **A**

SPÄNNING /
VOLTAGE
230 **V**

MEASURING
EQUIPMENT
CURR-
TRAFO-
SPACE ENERGY-
METER-
SPACE

FAST ANSLUTNING /
FIXED CONNECTIONS
<125A >125A

CEE-OUTLETS
3-POLE
16A 32A 63A 125A

SCHUKO OUTLETS
16A

CEE-OUTLETS
4-POLE
16A 32A 63A 125A

CEE-OUTLETS
5-POLE/400V
16A 32A 63A 125A

JFB/RCD/RCBO
0,01A 0,03A 0,1A
3

JFB/RCD/RCBO
0,3A 0,5A Variable

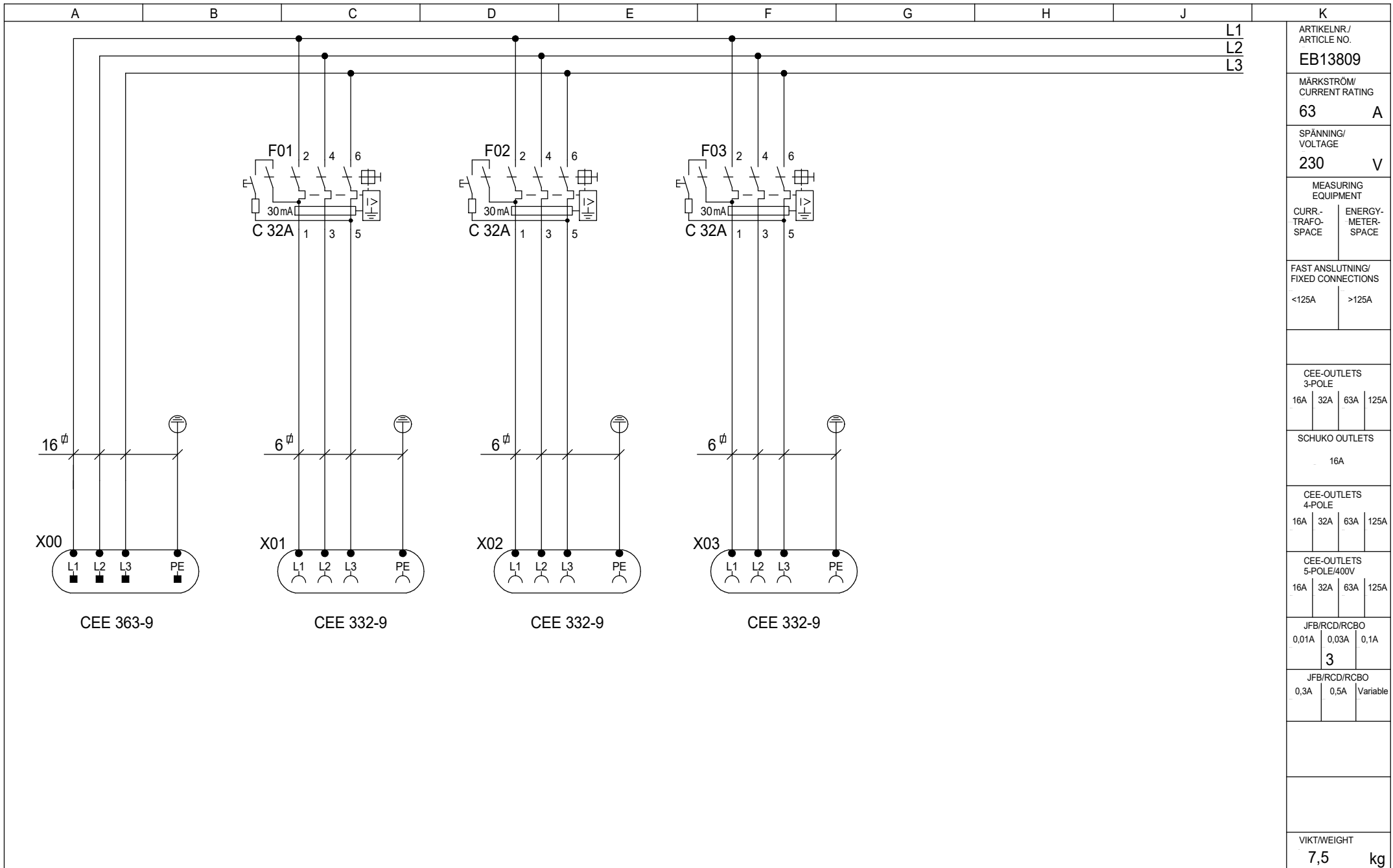
VIKT/WEIGHT
7,5 **kg**

This drawing is property of El-Björn. May not be copied, shown or distributed without our written permission.

U 63MAXI 230//003-3 EN



RITAD AV/DRAWN BY CG	DATUM/DATE 180925	NEXT SHEET 3	SHEET 2
SIGN	REVISION/ISSUE A*	RITINGS NR./DRAWING EB13809	



L1
L2
L3

ARTIKELNR/
ARTICLE NO.
EB13809

MÄRKSTRÖM/
CURRENT RATING
63 **A**

SPÄNNING/
VOLTAGE
230 **V**

MEASURING
EQUIPMENT
CURR-
TRAF0-
SPACE ENERGY-
METER-
SPACE

FAST ANSLUTNING/
FIXED CONNECTIONS
<125A >125A

CEE-OUTLETS
3-POLE
16A 32A 63A 125A

SCHUKO OUTLETS
16A

CEE-OUTLETS
4-POLE
16A 32A 63A 125A

CEE-OUTLETS
5-POLE/400V
16A 32A 63A 125A

JFB/RCD/RCBO
0,01A 0,03A 0,1A
3

JFB/RCD/RCBO
0,3A 0,5A Variable

VIKT/WEIGHT
7,5 **kg**

This drawing is property of El-Björn. May not be copied, shown or distributed without our written permission.

U 63MAXI 230//003-3 EN



RITAD AV/DRAWN BY CG	DATUM/DATE 180925	NEXT SHEET 4	SHEET 3
SIGN	REVISION/ISSUE A*	RITINGS NR./DRAWING EB13809	

A	B	C	D	E	F	G	H	J	K
PC.	Position	Description	Type	Manufacturer	Data	Article No.	E-number(SE)		ARTIKELNR/ ARTICLE NO. EB13809
1	-	Säkringslock	UC 63	El-Björn AB	14mod	40016			MÄRKSTRÖM/ CURRENT RATING 63 A
1		Fjäder	Säkringslock	El-Björn AB		118021			SPÄNNING/ VOLTAGE 230 V
1		Axel	Säkringslock	El-Björn AB	4x158mm	30110			MEASURING EQUIPMENT CURR- TRAFI- SPACE ENERGY- METER- SPACE
1		Lock	Norm + Uttag	El-Björn AB	300x300x32mm	H118009			FAST ANSLUTNING/ FIXED CONNECTIONS <125A >125A
4		Lockskruv	OLS42	Ensto			2532555		CEE-OUTLETS 3-POLE 16A 32A 63A 125A
1		Underdel	OABP 303010B	Ensto	300x300x100mm		2532131		SCHUKO OUTLETS 16A
1		Plasthandtag	CC120, Svart	Roca		422652			CEE-OUTLETS 4-POLE 16A 32A 63A 125A
1		Plint	EKS 525	Eldon AB	//25mm ²		2251130		CEE-OUTLETS 5-POLE/400V 16A 32A 63A 125A
4		Täcklock	GP/GF	El-Björn AB	50x50, Vit	34109			JFB/RCD/RCBO 0,01A 0,03A 0,1A 3
3	F01-F03	RCBO	PKPM3-32/3/C/003-A	Eaton	10kA, 3P, C 32A, 30	136564			JFB/RCD/RCBO 0,3A 0,5A Variable
1	X00	Intag	363BU9	ABB	63A, 230V, IP44	2CMA167226R1000	2417353		VIKT/WEIGHT 7,5 kg
3	X01-X03	Uttag	332RU9	ABB	32A, 230V, IP44	2CMA193252R1000			RITAD AV/DRAWN BY CG
									DATUM/DATE 180925
									NEXT SHEET 4
									REVISION/ISSUE A*
									RITINGS NR./DRAWING EB13809

This drawing is property of El-Björn. May not be copied, shown or distributed without our written permission.

U 63MAXI 230//003-3 EN



RITAD AV/DRAWN BY
CG

DATUM/DATE
180925

NEXT SHEET
4

SIGN

REVISION/ISSUE
A*

RITINGS NR./DRAWING
EB13809