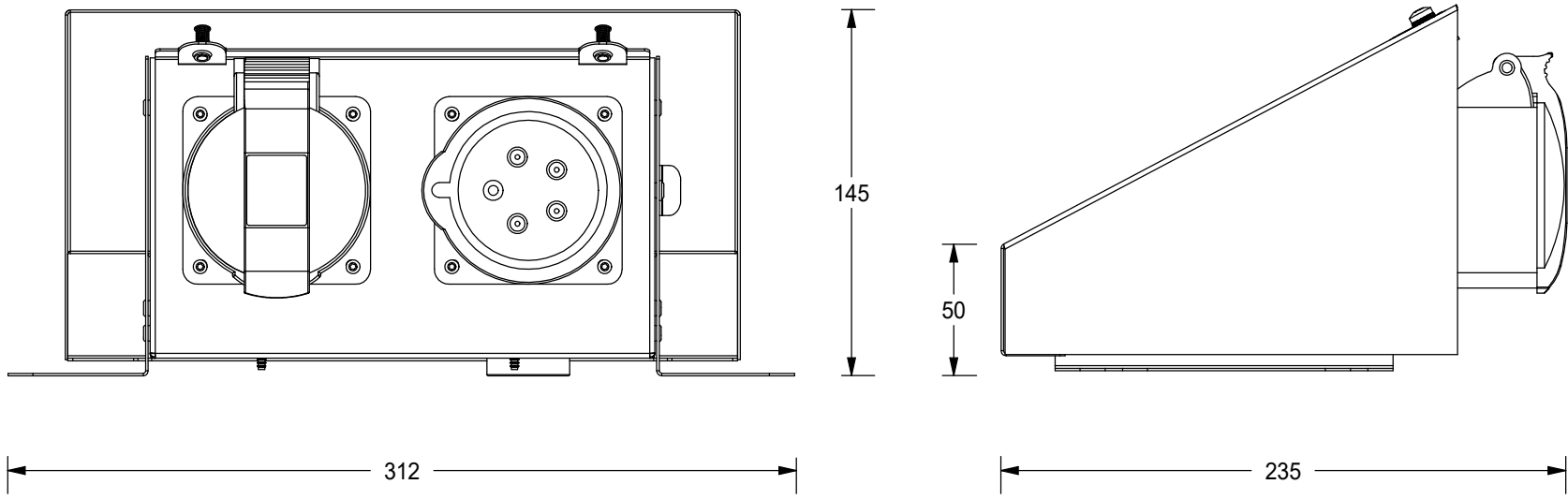


A B C D E F G H J K



ARTIKELNR /
ARTICLE NO.
E2467423

MÄRKSTRÖM /
CURRENT RATING
32 **A**

SPÄNNING /
VOLTAGE
400 **V**

MEASURING
EQUIPMENT
CURR-
TRAFO-
SPACE ENERGY-
METER-
SPACE

FAST ANSLUTNING /
FIXED CONNECTIONS
<125A >125A
1

CEE-OUTLETS
3-POLE
16A 32A 63A 125A

SCHUKO OUTLETS
16A

CEE-OUTLETS
4-POLE
16A 32A 63A 125A

CEE-OUTLETS
5-POLE/400V
16A 32A 63A 125A
1

JFB/RCD/RCBO
0,01A 0,03A 0,1A

JFB/RCD/RCBO
0,3A 0,5A Variable

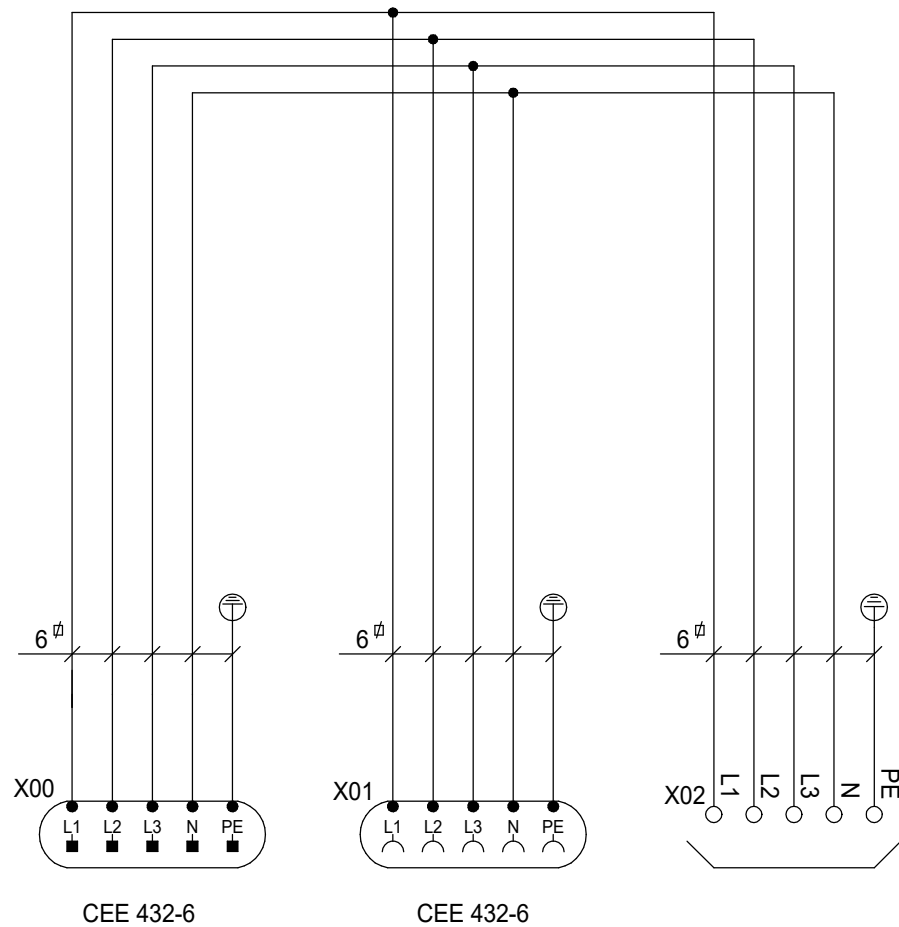
VIKT/WEIGHT
2,5 **kg**

This drawing is property of El-Björn. May not be copied, shown or distributed without our written permission.

U 32//001 EN
Norskt Art. Nr. 1550186



RITAD AV/DRAWN BY CG	DATUM/DATE 181228	NEXT SHEET 2	SHEET 1
SIGN	REVISION/ISSUE A*	RITNING NR./DRAWING E2467423	



ARTIKELNR / ARTICLE NO. E2467423	
MÄRKSTRÖM / CURRENT RATING 32	A
SPÄNNING / VOLTAGE 400	V
MEASURING EQUIPMENT	
CURR- TRAFO- SPACE	ENERGY- METER- SPACE
FAST ANSLUTNING / FIXED CONNECTIONS	
<125A 1	>125A
CEE-OUTLETS 3-POLE	
16A	32A
63A	125A
SCHUKO OUTLETS	
16A	
CEE-OUTLETS 4-POLE	
16A	32A
63A	125A
CEE-OUTLETS 5-POLE/400V	
16A	32A
63A	125A
1	
JFB/RCD/RCBO	
0,01A	0,03A
0,1A	
JFB/RCD/RCBO	
0,3A	0,5A
Variable	
VIKT/WEIGHT	
2,5 kg	

This drawing is property of El-Björn. May not be copied, shown or distributed without our written permission.

U 32//001 EN
Norskt Art. Nr. 1550186



RITAD AV/DRAWN BY CG	DATUM/DATE 181228	NEXT SHEET 3	SHEET 2
SIGN	REVISION/ISSUE A*	RITNING NR./DRAWING E2467423	

A	B	C	D	E	F	G	H	J	K		
PC.	Position	Description	Type	Manufacturer	Data	Article No.	E-number(SE)	ARTIKELNR / ARTICLE NO. E2467423			
1		Kapsling	Bodintagslåda	El-Björn	312 x 145 x 235			MÄRKSTRÖM / CURRENT RATING 32 A			
1	X00	Intag	432BU6	ABB	32A, 400V, IP44	2CMA193451R1000	2417347	SPÄNNING / VOLTAGE 400 V			
1	X01	Uttag	432RU6	ABB	32A, 400V, IP44	2CMA192658R1000	2416660	MEASURING EQUIPMENT			
3	X02	Kopplingsplint	3 x 6/10 Fjäder	Wago	Grå	2006-1301		CURR-TRAFO-SPACE	ENERGY-METER-SPACE		
1		Kopplingsplint	3 x 6/10 Fjäder	Wago	Blå	2006-1304		FAST ANSLUTNING / FIXED CONNECTIONS			
1		Jordplint	3 x 6/10 Fjäder	Wago		2006-1307		<125A	>125A		
1		Ändplatta		Wago	Orange	2006-1392		1			
1		Ändstöd		Wago	Grå	249-116		CEE-OUTLETS 3-POLE			
								16A	32A	63A	125A
								SCHUKO OUTLETS			
								16A			
								CEE-OUTLETS 4-POLE			
								16A	32A	63A	125A
								CEE-OUTLETS 5-POLE/400V			
								16A	32A	63A	125A
								1			
								JFB/RCD/RCBO			
								0,01A	0,03A	0,1A	
								JFB/RCD/RCBO			
								0,3A	0,5A	Variable	
								VIKT/WEIGHT			
								2,5 kg			

This drawing is property of El-Björn. May not be copied, shown or distributed without our written permission.

U 32//001 EN

Norskt Art. Nr. 1550186



RITAD AV/DRAWN BY
CG

SIGN

DATUM/DATE
181228

REVISION/ISSUE
A*

NEXT SHEET
3

RITINGS NR./DRAWING
E2467423