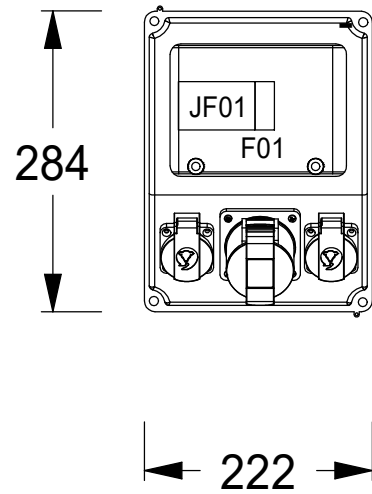


A	B	C	D	E	F	G	H	J	K
---	---	---	---	---	---	---	---	---	---



Djup: 122mm

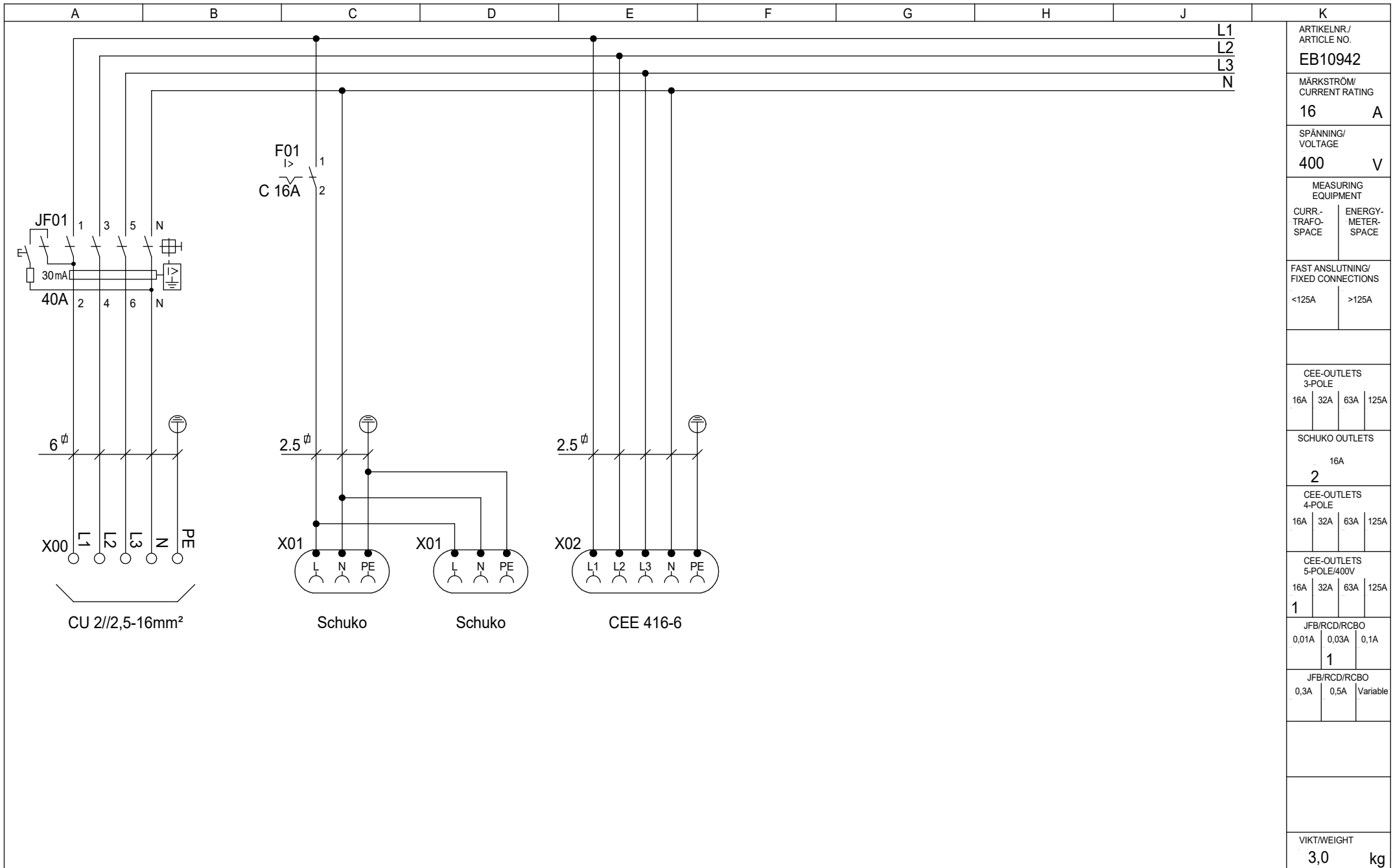
ARTIKELNR / ARTICLE NO. EB10942			
MÄRKSTRÖM / CURRENT RATING 16 A			
SPÄNNING / VOLTAGE 400 V			
MEASURING EQUIPMENT			
CURR- TRAFO- SPACE	ENERGY- METER- SPACE		
FAST ANSLUTNING / FIXED CONNECTIONS			
<125A	>125A		
CEE-OUTLETS 3-POLE			
16A	32A	63A	125A
SCHUKO OUTLETS			
16A			
2			
CEE-OUTLETS 4-POLE			
16A	32A	63A	125A
CEE-OUTLETS 5-POLE/400V			
16A	32A	63A	125A
1			
JFB/RCD/RCBO			
0,01A	0,03A	0,1A	
1			
JFB/RCD/RCBO			
0,3A	0,5A	Variable	
VIKT/WEIGHT			
3,0 kg			

This drawing is property of El-Björn. May not be copied, shown or distributed without our written permission.

UF 16III/21-1 EN



RITAD AV/DRAWN BY CG	DATUM/DATE 190123	NEXT SHEET 2	SHEET 1
SIGN	REVISION/ISSUE B	RITNING NR./DRAWING EB10942	



This drawing is property of El-Björn. May not be copied, shown or distributed without our written permission.

UF 16III//21-1 EN



RITAD AV/DRAWN BY CG	DATUM/DATE 190123	NEXT SHEET 3	SHEET 2
SIGN	REVISION/ISSUE B	RITINGS NR./DRAWING EB10942	

ARTIKELNR./ ARTICLE NO. EB10942			
MÄRKSTRÖM/ CURRENT RATING 16	A		
SPÄNNING/ VOLTAGE 400	V		
MEASURING EQUIPMENT			
CURR- TRAFO- SPACE	ENERGY- METER- SPACE		
FAST ANSLUTNING/ FIXED CONNECTIONS			
<125A	>125A		
CEE-OUTLETS 3-POLE			
16A	32A	63A	125A
SCHUKO OUTLETS			
16A			
2			
CEE-OUTLETS 4-POLE			
16A	32A	63A	125A
CEE-OUTLETS 5-POLE/400V			
1			
JFB/RCD/RCBO			
0,01A	0,03A	0,1A	
1			
JFB/RCD/RCBO			
0,3A	0,5A	Variable	
VIKT/WEIGHT			
3,0 kg			

A	B	C	D	E	F	G	H	J	K
PC.	Position	Description	Type	Manufacturer	Data	Article No.	E-number(SE)	ARTIKELNR / ARTICLE NO. EB10942	
2	-						35	MÄRKSTRÖM/ CURRENT RATING 16 A	
1		Kapsling	67TC09	Idé	284x222x122, 8mod	17.8.P		SPÄNNING/ VOLTAGE 400 V	
1	F01	MCB	iC60N	Schneider Electric	C 16A, 1P, 6kA	A9F04116	2112043	MEASURING EQUIPMENT	
1	JF01	RCD	iID	Schneider Electric	40A, 30mA, 4P, A	A9Z21440	2164955	CURR- TRAFO- SPACE	ENERGY- METER- SPACE
1	X00	Plint	EKS 525	Eldon AB	//25mm ²		2251130	FAST ANSLUTNING/ FIXED CONNECTIONS	
2	X01	Schukouttag	Typ F	Mennekes	230V, 16A, IP54	11020EB		<125A	>125A
1	X02	Uttag	416RU6	ABB	16A, 400V, IP44	2CMA192642R1000	2416633	CEE-OUTLETS 3-POLE 16A 32A 63A 125A	
								SCHUKO OUTLETS 16A 2	
								CEE-OUTLETS 4-POLE 16A 32A 63A 125A	
								CEE-OUTLETS 5-POLE/400V 16A 32A 63A 125A 1	
								JFB/RCD/RCBO 0,01A 0,03A 0,1A 1	
								JFB/RCD/RCBO 0,3A 0,5A Variable	
								VIKT/WEIGHT 3,0 kg	

This drawing is property of El-Björn. May not be copied, shown or distributed without our written permission.

UF 16III/21-1 EN



RITAD AV/DRAWN BY CG	DATUM/DATE 190123	NEXT SHEET	SHEET 3
SIGN	REVISION/ISSUE B	RITINGS NR./DRAWING EB10942	