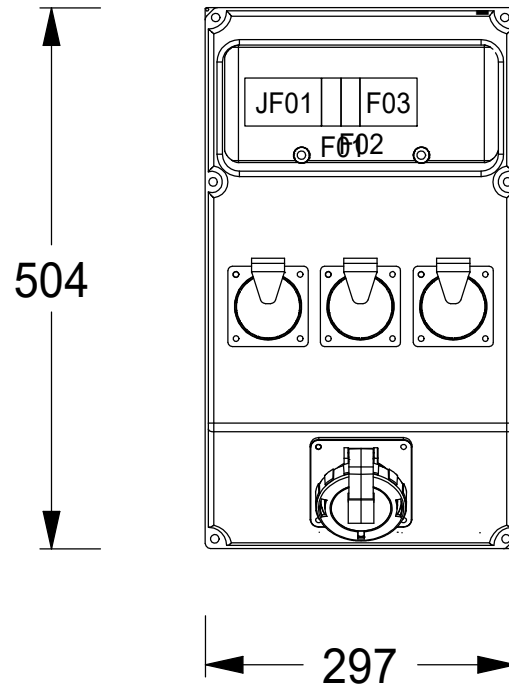


A	B	C	D	E	F	G	H	J	K
---	---	---	---	---	---	---	---	---	---



ARTIKELNR /
ARTICLE NO.
EB11339

MÄRKSTRÖM /
CURRENT RATING
63 A

SPÄNNING /
VOLTAGE
400 V

MEASURING
EQUIPMENT
CURR-
TRAFO-
SPACE ENERGY-
METER-
SPACE

FAST ANSLUTNING /
FIXED CONNECTIONS
<125A >125A

CEE-OUTLETS
3-POLE
16A 32A 63A 125A

SCHUKO OUTLETS
16A
3

CEE-OUTLETS
4-POLE
16A 32A 63A 125A

CEE-OUTLETS
5-POLE/400V
16A 32A 63A 125A
1

JFB/RCD/RCBO
0,01A 0,03A 0,1A
1

JFB/RCD/RCBO
0,3A 0,5A Variable

VIKT/WEIGHT
5,5 kg

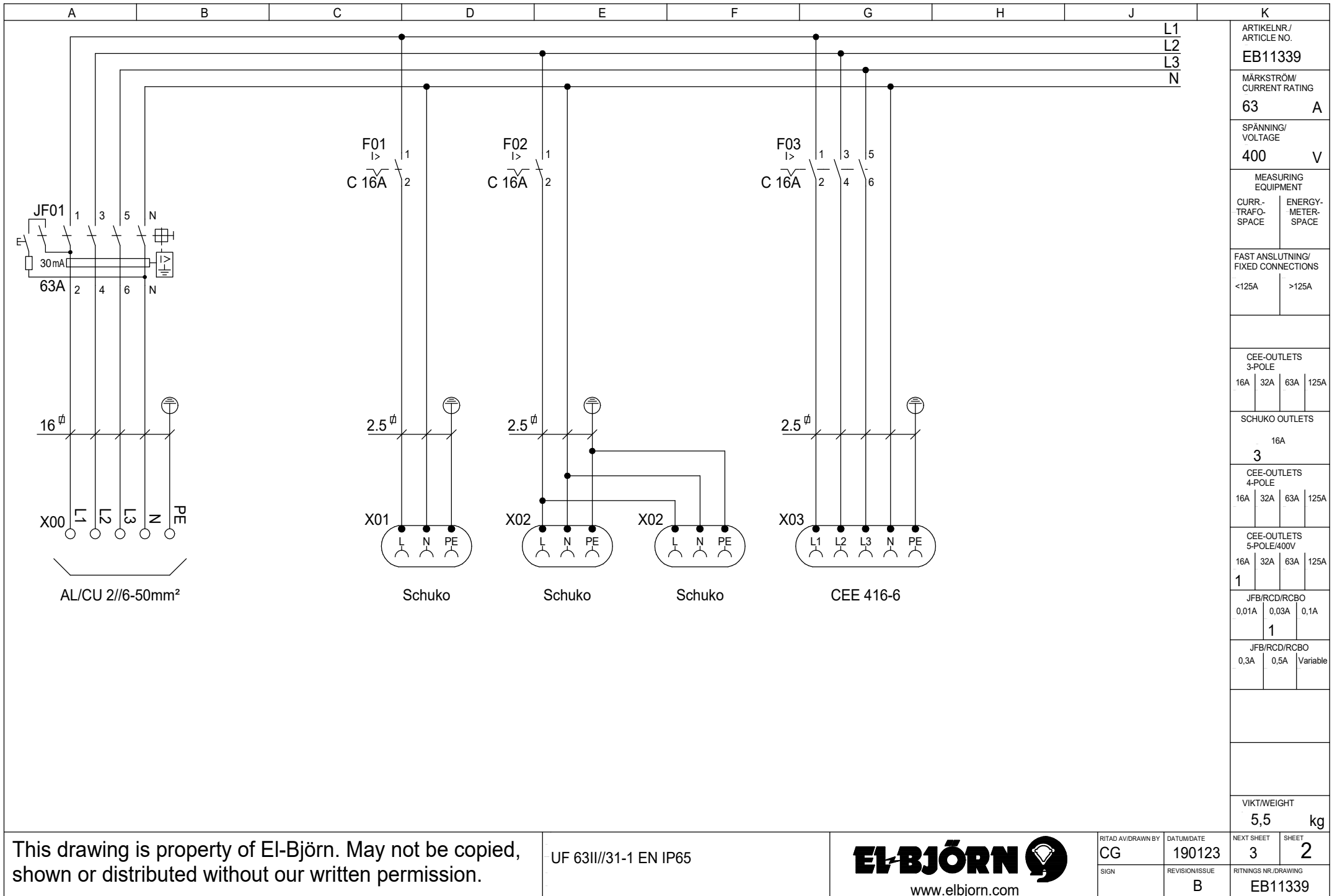
Djup: 177mm

This drawing is property of El-Björn. May not be copied, shown or distributed without our written permission.

UF 63III//31-1 EN IP65



RITAD AV/DRAWN BY CG	DATUM/DATE 190123	NEXT SHEET 2	SHEET 1
SIGN	REVISION/ISSUE B	RITINGS NR./DRAWING EB11339	



ARTIKELNR / ARTICLE NO. EB11339	
MÄRKSTRÖM / CURRENT RATING 63	A
SPÄNNING / VOLTAGE 400	V
MEASURING EQUIPMENT	
CURR-TRAFO-SPACE	ENERGY-METER-SPACE
FAST ANSLUTNING / FIXED CONNECTIONS	
<125A	>125A
CEE-OUTLETS 3-POLE	
16A	32A 63A 125A
SCHUKO OUTLETS	
16A	
3	
CEE-OUTLETS 4-POLE	
16A	32A 63A 125A
CEE-OUTLETS 5-POLE/400V	
1	
JFB/RCD/RCBO	
0,01A	0,03A 0,1A
1	
JFB/RCD/RCBO	
0,3A	0,5A Variable
VIKT/WEIGHT	
5,5 kg	

This drawing is property of El-Björn. May not be copied, shown or distributed without our written permission.

UF 63III//31-1 EN IP65



RITAD AV/DRAWN BY CG	DATUM/DATE 190123	NEXT SHEET 3	SHEET 2
SIGN	REVISION/ISSUE B	RITNING NR./DRAWING EB11339	

