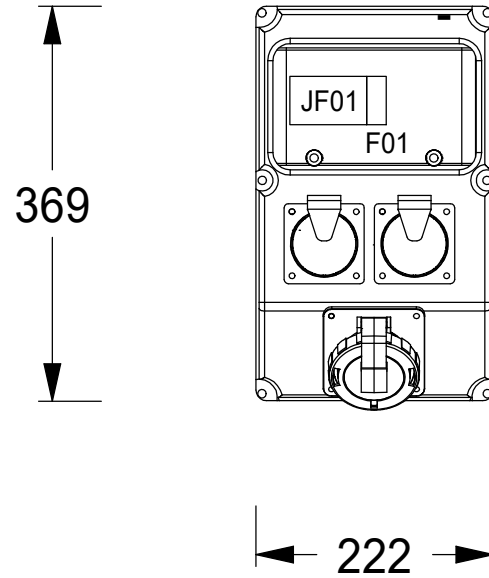


A	B	C	D	E	F	G	H	J	K
---	---	---	---	---	---	---	---	---	---



ARTIKELNR /  
ARTICLE NO.  
**EB11341**

MÄRKSTRÖM /  
CURRENT RATING  
**16 A**

SPÄNNING /  
VOLTAGE  
**400 V**

MEASURING  
EQUIPMENT  
CURR-  
TRAFO-  
SPACE | ENERGY-  
METER-  
SPACE

FAST ANSLUTNING /  
FIXED CONNECTIONS  
<125A | >125A

CEE-OUTLETS  
3-POLE  
16A | 32A | 63A | 125A

SCHUKO OUTLETS  
16A  
**2**

CEE-OUTLETS  
4-POLE  
16A | 32A | 63A | 125A

CEE-OUTLETS  
5-POLE/400V  
16A | 32A | 63A | 125A  
**1**

JFB/RCD/RCBO  
0,01A | 0,03A | 0,1A  
**1**

JFB/RCD/RCBO  
0,3A | 0,5A | Variable

VIKT/WEIGHT  
**3,5 kg**

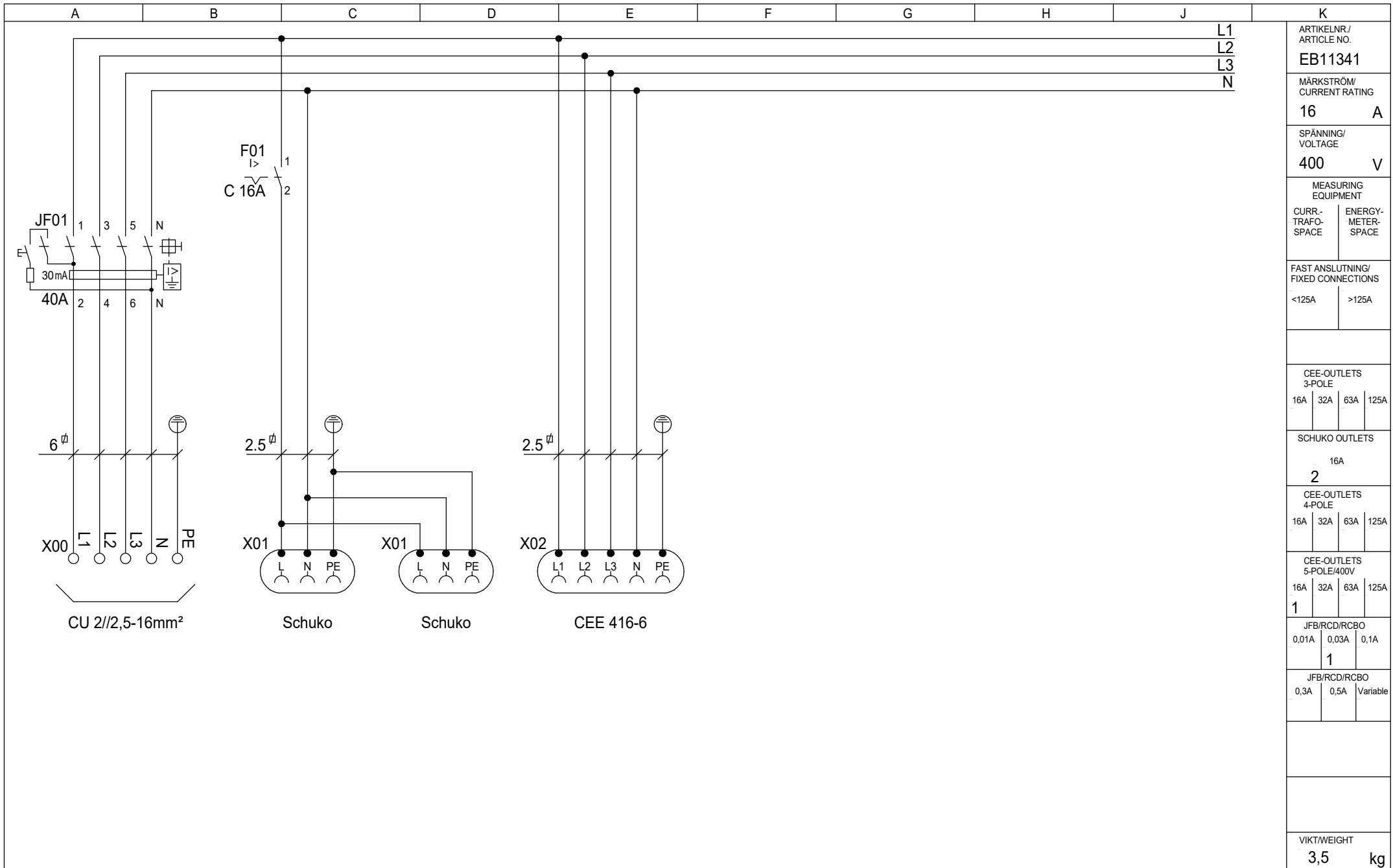
Djup: 130mm

This drawing is property of El-Björn. May not be copied, shown or distributed without our written permission.

UF 16III//21-1 EN IP65



RITAD AV/DRAWN BY <b>CG</b>	DATUM/DATE <b>190123</b>	NEXT SHEET <b>2</b>	SHEET <b>1</b>
SIGN	REVISION/ISSUE <b>B</b>	RITNING NR./DRAWING <b>EB11341</b>	



ARTIKELNR / ARTICLE NO. <b>EB11341</b>	
MÄRKSTRÖM / CURRENT RATING <b>16</b>	<b>A</b>
SPÄNNING / VOLTAGE <b>400</b>	<b>V</b>
MEASURING EQUIPMENT	
CURR-TRAFO-SPACE	ENERGY-METER-SPACE
FAST ANSLUTNING / FIXED CONNECTIONS	
<125A	>125A
CEE-OUTLETS 3-POLE	
16A	32A 63A 125A
SCHUKO OUTLETS	
16A	
<b>2</b>	
CEE-OUTLETS 4-POLE	
16A	32A 63A 125A
CEE-OUTLETS 5-POLE/400V	
<b>1</b>	
JFB/RCD/RCBO	
0,01A	0,03A 0,1A
<b>1</b>	
JFB/RCD/RCBO	
0,3A	0,5A Variable
VIKT/WEIGHT	
<b>3,5</b> kg	

This drawing is property of El-Björn. May not be copied, shown or distributed without our written permission.

UF 16III/21-1 EN IP65



RITAD AV/DRAWN BY <b>CG</b>	DATUM/DATE <b>190123</b>	NEXT SHEET <b>3</b>	SHEET <b>2</b>
SIGN	REVISION/ISSUE <b>B</b>	RITINGS NR./DRAWING <b>EB11341</b>	

A	B	C	D	E	F	G	H	J	K
PC.	Position	Description	Type	Manufacturer	Data	Article No.	E-number(SE)		ARTIKELNR / ARTICLE NO. <b>EB11341</b>
1	-	Kapsling	67TC09M	Idé	369x222x130, 8mod	17.8.M			MÄRKSTRÖM/ CURRENT RATING <b>16</b> <b>A</b>
1	F01	MCB	iC60N	Schneider Electric	C 16A, 1P, 6kA	A9F04116	2112043		SPÄNNING/ VOLTAGE <b>400</b> <b>V</b>
1	JF01	RCD	iID	Schneider Electric	40A, 30mA, 4P, A	A9Z21440	2164955		MEASURING EQUIPMENT CURR- TRAFO- SPACE      ENERGY- METER- SPACE
1	X00	Plint	EKS 525	Eldon AB	//25mm <sup>2</sup>		2251130		FAST ANSLUTNING/ FIXED CONNECTIONS <125A      >125A
2	X01	Uttag	Typ F	ABL	16A, 230V, IP67	1987951			CEE-OUTLETS 3-POLE 16A   32A   63A   125A
1	X02	Uttag	416RAU6W	ABB	16A, 400V, IP67	2CMA167030R1000	2416712		SCHUKO OUTLETS 16A <b>2</b>
									CEE-OUTLETS 4-POLE 16A   32A   63A   125A
									CEE-OUTLETS 5-POLE/400V 16A   32A   63A   125A <b>1</b>
									JFB/RCD/RCBO 0,01A   0,03A   0,1A <b>1</b>
									JFB/RCD/RCBO 0,3A   0,5A   Variable
									VIKT/WEIGHT <b>3,5</b> <b>kg</b>

This drawing is property of El-Björn. May not be copied, shown or distributed without our written permission.

UF 16III/21-1 EN IP65



RITAD AV/DRAWN BY <b>CG</b>	DATUM/DATE <b>190123</b>	NEXT SHEET	SHEET <b>3</b>
SIGN	REVISION/ISSUE <b>B</b>	RITINGS NR./DRAWING <b>EB11341</b>	