

ARTIKELNR /
ARTICLE NO.
F23111

MÄRKSTRÖM /
CURRENT RATING
100 A

SPÄNNING /
VOLTAGE
400 V

MEASURING EQUIPMENT	
CURR- TRAFO- SPACE	ENERGY- METER- SPACE

FAST ANSLUTNING / FIXED CONNECTIONS	
<125A	>125A

CEE-OUTLETS 3-POLE			
16A	32A	63A	125A

SCHUKO OUTLETS	
16A	3

CEE-OUTLETS 4-POLE			
16A	32A	63A	125A

CEE-OUTLETS 5-POLE/400V			
16A	32A	63A	125A
2	4		

JFB/RCD/RCBO		
0,01A	0,03A	0,1A
	3	

JFB/RCD/RCBO		
0,3A	0,5A	Variable

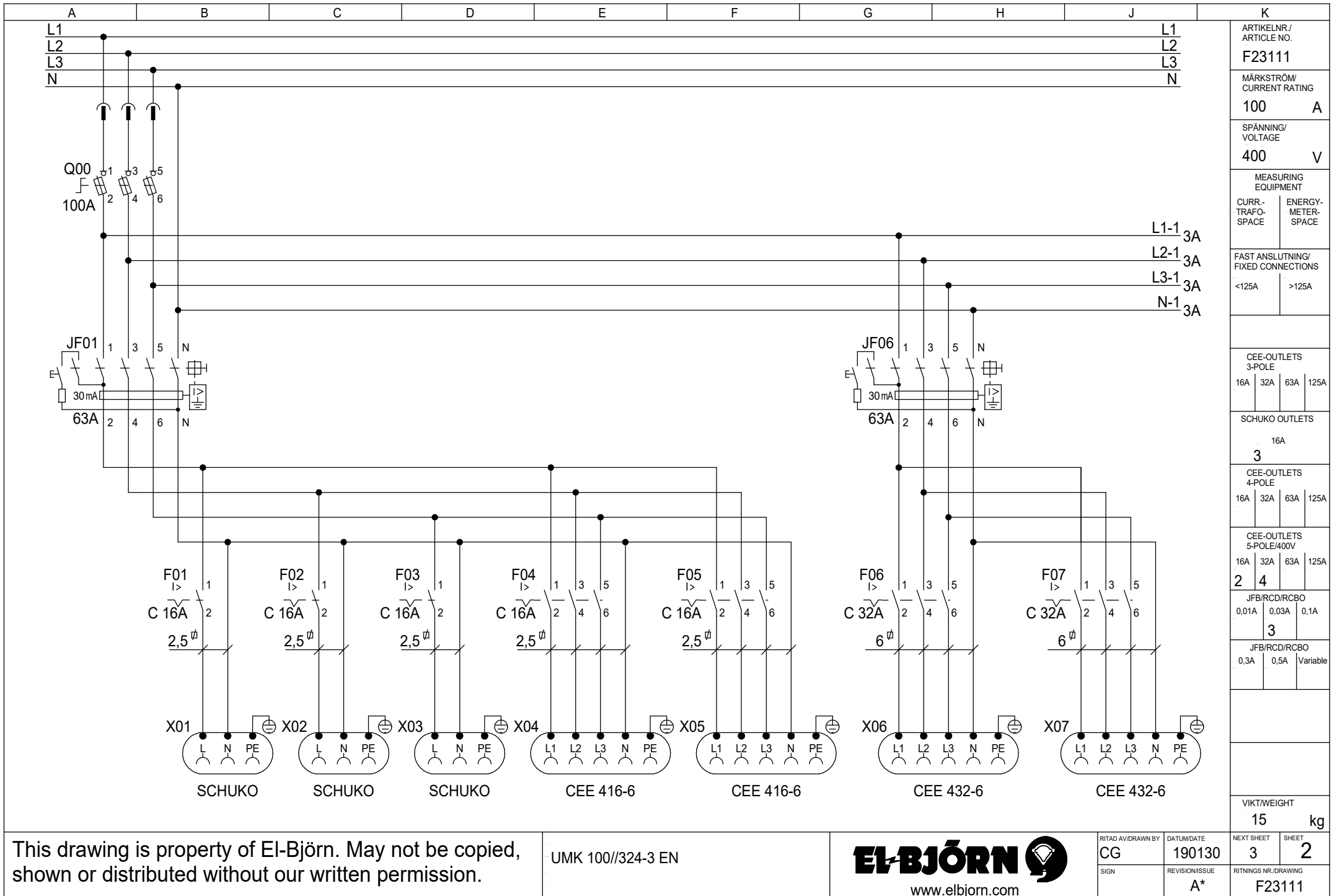
VIKT/WEIGHT	
15	kg

This drawing is property of El-Björn. May not be copied, shown or distributed without our written permission.

UMK 100//324-3 EN



RITAD AV/DRAWN BY CG	DATUM/DATE 190130	NEXT SHEET 2	SHEET 1
SIGN	REVISION/ISSUE A*	RITINGS NR./DRAWING F23111	

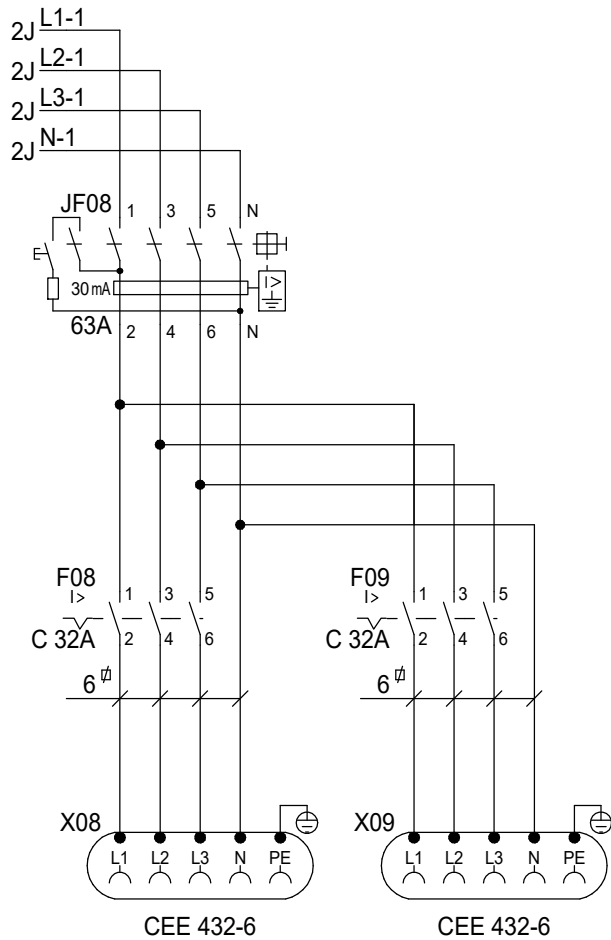


ARTIKELNR / ARTICLE NO. F23111				
MÄRKSTRÖM / CURRENT RATING 100 A				
SPÄNNING / VOLTAGE 400 V				
MEASURING EQUIPMENT				
CURR- TRAFO- SPACE	ENERGY- METER- SPACE			
FAST ANSLUTNING/ FIXED CONNECTIONS				
<125A	>125A			
CEE-OUTLETS 3-POLE				
16A	32A	63A	125A	
SCHUKO OUTLETS				
16A				
3				
CEE-OUTLETS 4-POLE				
16A	32A	63A	125A	
CEE-OUTLETS 5-POLE/400V				
16A	32A	63A	125A	
2	4			
JFB/RCD/RCBO		0,01A	0,03A	0,1A
3				
JFB/RCD/RCBO		0,3A	0,5A	Variable
VIKT/WEIGHT				
15 kg				
RITAD AV/DRAWN BY CG	DATUM/DATE 190130	NEXT SHEET 3	SHEET 2	
SIGN	REVISION/ISSUE A*	RITINGS NR./DRAWING F23111		

This drawing is property of El-Björn. May not be copied, shown or distributed without our written permission.

UMK 100//324-3 EN





ARTIKELNR /
ARTICLE NO.
F23111

MÄRKSTRÖM /
CURRENT RATING
100 A

SPÄNNING /
VOLTAGE
400 V

MEASURING
EQUIPMENT
CURR-
TRAF0-
SPACE ENERGY-
METER-
SPACE

FAST ANSLUTNING/
FIXED CONNECTIONS
<125A >125A

CEE-OUTLETS
3-POLE
16A 32A 63A 125A

SCHUKO OUTLETS
16A
3

CEE-OUTLETS
4-POLE
16A 32A 63A 125A

CEE-OUTLETS
5-POLE/400V
16A 32A 63A 125A
2 4

JFB/RCD/RCBO
0,01A 0,03A 0,1A
3

JFB/RCD/RCBO
0,3A 0,5A Variable

VIKT/WEIGHT
15 kg

This drawing is property of El-Björn. May not be copied, shown or distributed without our written permission.

UMK 100//324-3 EN



RITAD AV/DRAWN BY CG	DATUM/DATE 190130	NEXT SHEET 4	SHEET 3
SIGN	REVISION/ISSUE A*	RITINGS NR./DRAWING F23111	

