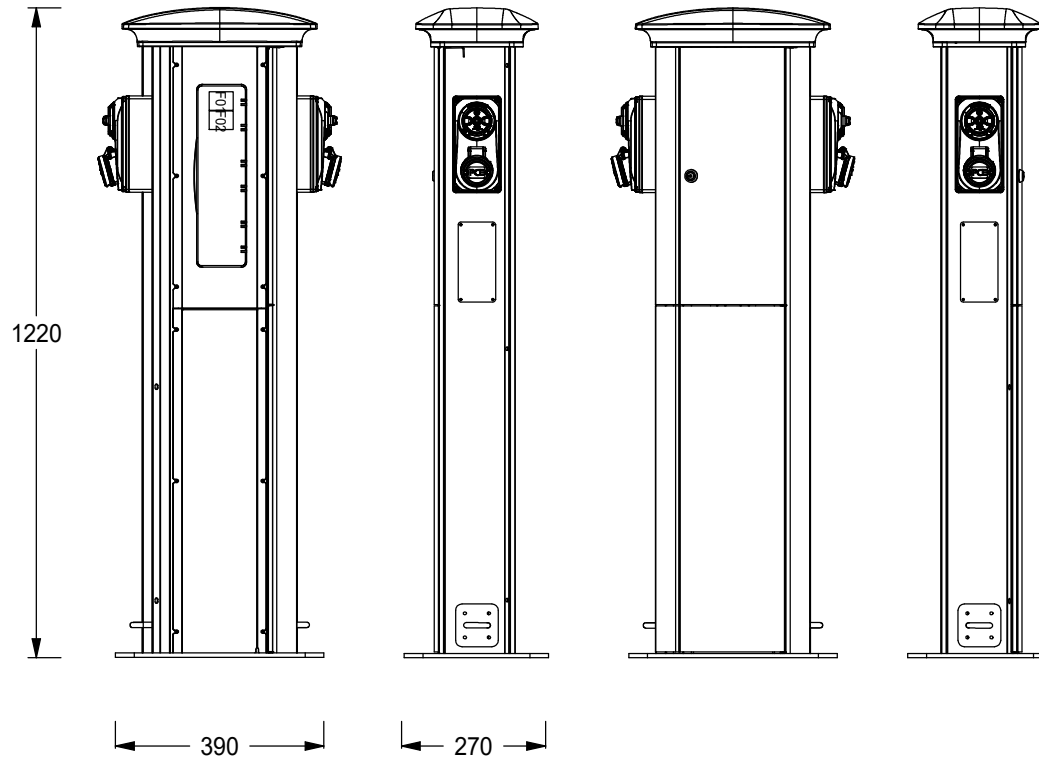


A B C D E F G H J K



ARTIKELNR / ARTICLE NO. <b>EB14230</b>			
MÄRKSTRÖM / CURRENT RATING <b>32</b>	<b>A</b>		
SPÄNNING / VOLTAGE <b>230</b>	<b>V</b>		
MEASURING EQUIPMENT			
CURR- TRAF0- SPACE	ENERGY- METER- SPACE		
FAST ANSLUTNING / FIXED CONNECTIONS			
<125A	>125A		
CEE-OUTLETS 3-POLE			
16A	32A	63A	125A
<b>2</b>			
SCHUKO OUTLETS			
16A			
CEE-OUTLETS 4-POLE			
16A	32A	63A	125A
CEE-OUTLETS 5-POLE/400V			
16A	32A	63A	125A
JFB/RCD/RCBO			0,1A
0,01A			0,03A
<b>2</b>			
JFB/RCD/RCBO			0,1A
0,3A			0,5A
			Variable
VIKT/WEIGHT			
<b>21,5</b> kg			

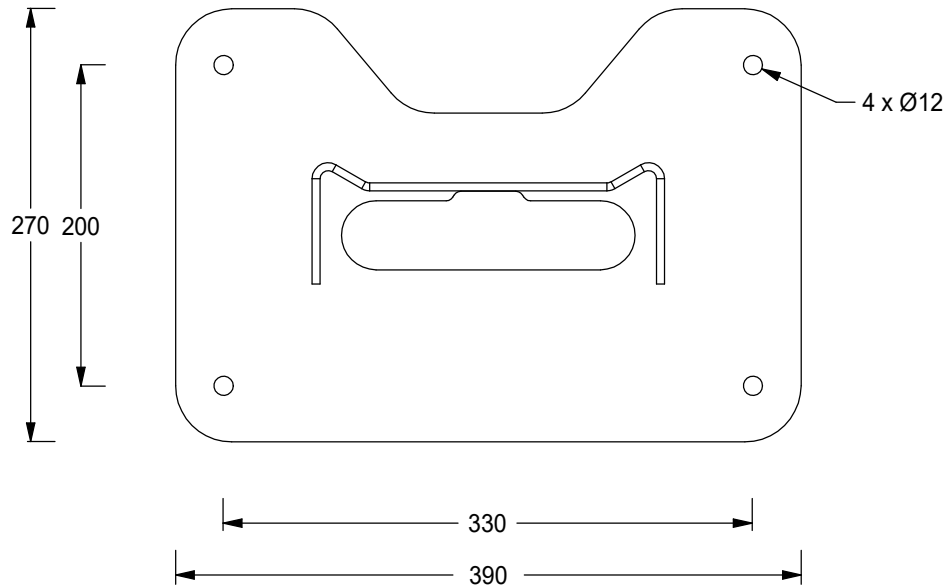
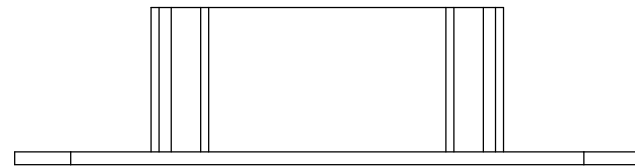
This drawing is property of El-Björn. May not be copied, shown or distributed without our written permission.

ALFA-II 32 230/(2)-2 EN F



RITAD AV/DRAWN BY <b>CG</b>	DATUM/DATE <b>190411</b>	NEXT SHEET <b>2</b>	SHEET <b>1</b>
SIGN	REVISION/ISSUE <b>A*</b>	RITNING NR./DRAWING <b>EB14230</b>	

A B C D E F G H J K



ARTIKELNR /  
ARTICLE NO.  
**EB14230**

MÄRKSTRÖM /  
CURRENT RATING  
**32 A**

SPÄNNING /  
VOLTAGE  
**230 V**

MEASURING  
EQUIPMENT  
CURR-  
TRAFO-  
SPACE ENERGY-  
METER-  
SPACE

FAST ANSLUTNING /  
FIXED CONNECTIONS  
<125A >125A

CEE-OUTLETS  
3-POLE  
16A 32A 63A 125A  
**2**

SCHUKO OUTLETS  
16A

CEE-OUTLETS  
4-POLE  
16A 32A 63A 125A

CEE-OUTLETS  
5-POLE/400V  
16A 32A 63A 125A

JFB/RCD/RCBO  
0,01A 0,03A 0,1A  
**2**

JFB/RCD/RCBO  
0,3A 0,5A Variable

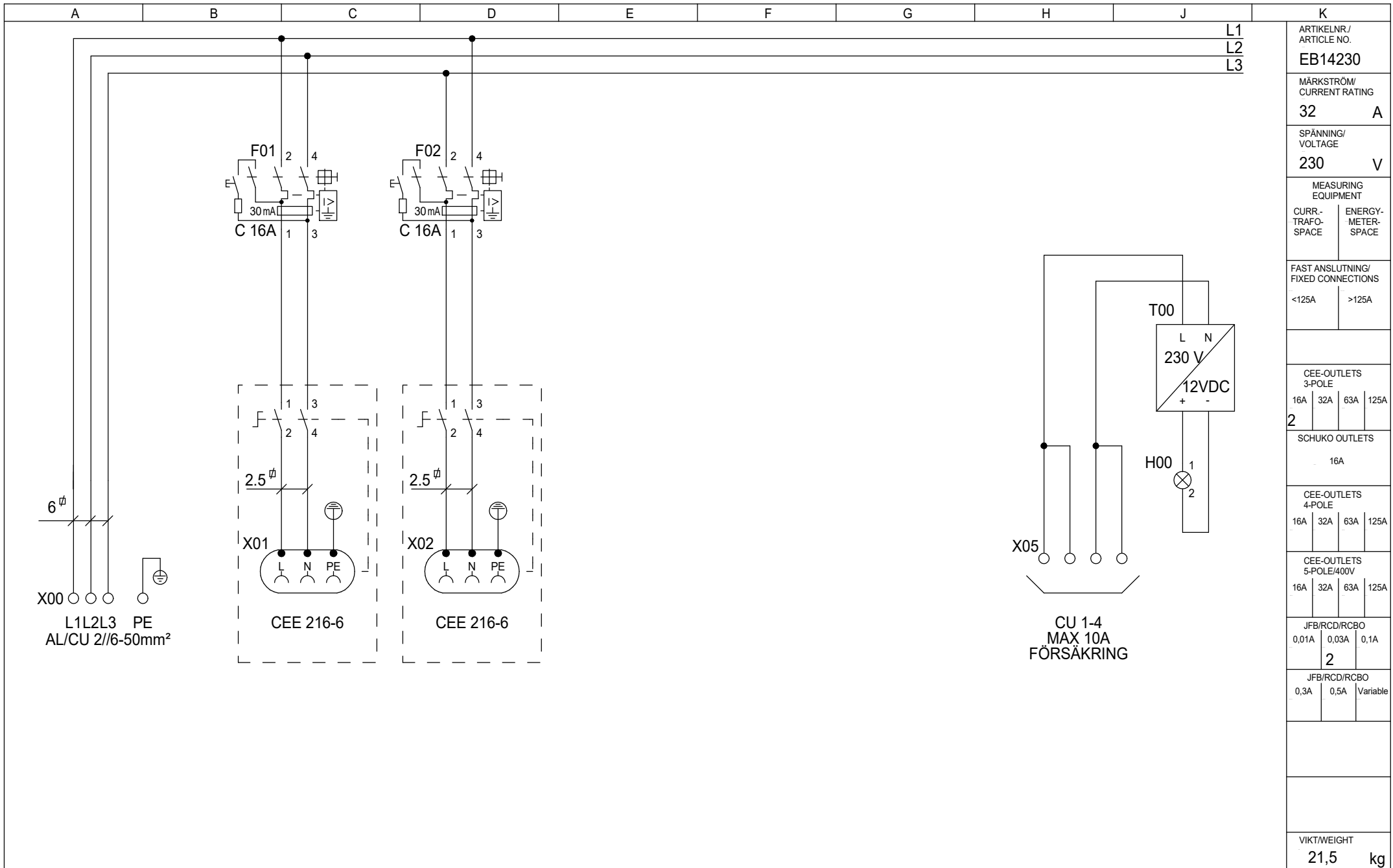
VIKT/WEIGHT  
**21,5 kg**

This drawing is property of El-Björn. May not be copied, shown or distributed without our written permission.

ALFA-II 32 230/(2)-2 EN F



RITAD AV/DRAWN BY <b>CG</b>	DATUM/DATE <b>190411</b>	NEXT SHEET <b>3</b>	SHEET <b>2</b>
SIGN	REVISION/ISSUE <b>A*</b>	RITINGS NR./DRAWING <b>EB14230</b>	



L1  
L2  
L3

ARTIKELNR/  
ARTICLE NO.  
**EB14230**

MÄRKSTRÖM/  
CURRENT RATING  
**32**     **A**

SPÄNNING/  
VOLTAGE  
**230**     **V**

MEASURING  
EQUIPMENT  
CURR-  
TRAFO-  
SPACE     ENERGY-  
METER-  
SPACE

FAST ANSLUTNING/  
FIXED CONNECTIONS  
<125A     >125A

CEE-OUTLETS  
3-POLE  
16A   32A   63A   125A  
**2**

SCHUKO OUTLETS  
16A

CEE-OUTLETS  
4-POLE  
16A   32A   63A   125A

CEE-OUTLETS  
5-POLE/400V  
16A   32A   63A   125A

JFB/RCD/RCBO  
0,01A   0,03A   0,1A  
**2**

JFB/RCD/RCBO  
0,3A   0,5A   Variable

VIKT/WEIGHT  
**21,5**     **kg**

This drawing is property of El-Björn. May not be copied, shown or distributed without our written permission.

ALFA-II 32 230/(2)-2 EN F



RITAD AV/DRAWN BY <b>CG</b>	DATUM/DATE <b>190411</b>	NEXT SHEET <b>4</b>	SHEET <b>3</b>
SIGN	REVISION/ISSUE <b>A*</b>	RITINGS NR./DRAWING <b>EB14230</b>	

A		B	C	D	E	F	G	H	J	K
PC.	Position	Description	Type	Manufacturer	Data	Article No.	E-number(SE)		ARTIKELNR / ARTICLE NO. <b>EB14230</b>	
1	.	Stolpe	Standard 18mod, F	El-Björn AB	IP44	H23419			MÄRKSTRÖM / CURRENT RATING <b>32 A</b>	
2	F01-F02	RCBO	PKPM2	Eaton	C 16A, 30mA	65884	2162432		SPÄNNING / VOLTAGE <b>230 V</b>	
1	H00	LED Strip	AL-IEP2-NW	Agolux	4000-4500 Kelvin	2490353			MEASURING EQUIPMENT	
1	T00	LED Driver	SLT15-12VF-2	Agolux	12V DC, 1,25A, 15W	SLT15-12VF-2			CURR-TRAFOSPACER ENERGY-METER-SPACE	
3	X00	Universalklämma	KE 66	Ensto	AL/CU 2//6-50mm <sup>2</sup>	KE 66	2673561		FAST ANSLUTNING / FIXED CONNECTIONS <125A   >125A	
1		Universalklämma	KE 66.3	Ensto	AL/CU 2//6-50mm <sup>2</sup>	KE 66.3	2673563			
2	X01-X02	Förreglatuttag	216-6	PC Electric	16A, 230V, IP44	6013-6			CEE-OUTLETS 3-POLE 16A   32A   63A   125A <b>2</b>	
2	X05	Radplint	NSYTRV42	Schneider Electric	4mm <sup>2</sup> , Grå	NSYTRV42	2916254		SCHUKO OUTLETS 16A	
2		Radplint	NSYTRV42BL	Schneider Electric	4mm <sup>2</sup> , Blå	NSYTRV42BL	2916255		CEE-OUTLETS 4-POLE 16A   32A   63A   125A	
1		Radplint	NSYTRV42PE	Schneider Electric	4mm <sup>2</sup> , Gul/Grön	NSYTRV42PE	2916257		CEE-OUTLETS 5-POLE/400V 16A   32A   63A   125A	
									JFB/RCD/RCBO 0,01A   0,03A   0,1A <b>2</b>	
									JFB/RCD/RCBO 0,3A   0,5A   Variable	
									VIKT/WEIGHT <b>21,5 kg</b>	

This drawing is property of El-Björn. May not be copied, shown or distributed without our written permission.

ALFA-II 32 230//(2)-2 EN F



RITAD AV/DRAWN BY  
**CG**  
SIGN

DATUM/DATE  
**190411**  
REVISION/ISSUE  
**A\***

NEXT SHEET SHEET  
**4**

RIITINGS NR./DRAWING  
**EB14230**