

ARTIKELNR / ARTICLE NO. EB14233			
MÄRKSTRÖM / CURRENT RATING 32 A			
SPÄNNING / VOLTAGE 400 V			
MEASURING EQUIPMENT			
CURR- TRAFO- SPACE	ENERGY- METER- SPACE		
FAST ANSLUTNING / FIXED CONNECTIONS			
<125A	>125A		
CEE-OUTLETS 3-POLE			
16A	32A	63A	125A
4			
SCHUKO OUTLETS			
16A			
CEE-OUTLETS 4-POLE			
16A	32A	63A	125A
CEE-OUTLETS 5-POLE/400V			
16A	32A	63A	125A
JFB/RCD/RCBO			
0,01A	0,03A	0,1A	
4			
JFB/RCD/RCBO			
0,3A	0,5A	Variable	
VIKT/WEIGHT			
21,5 kg			

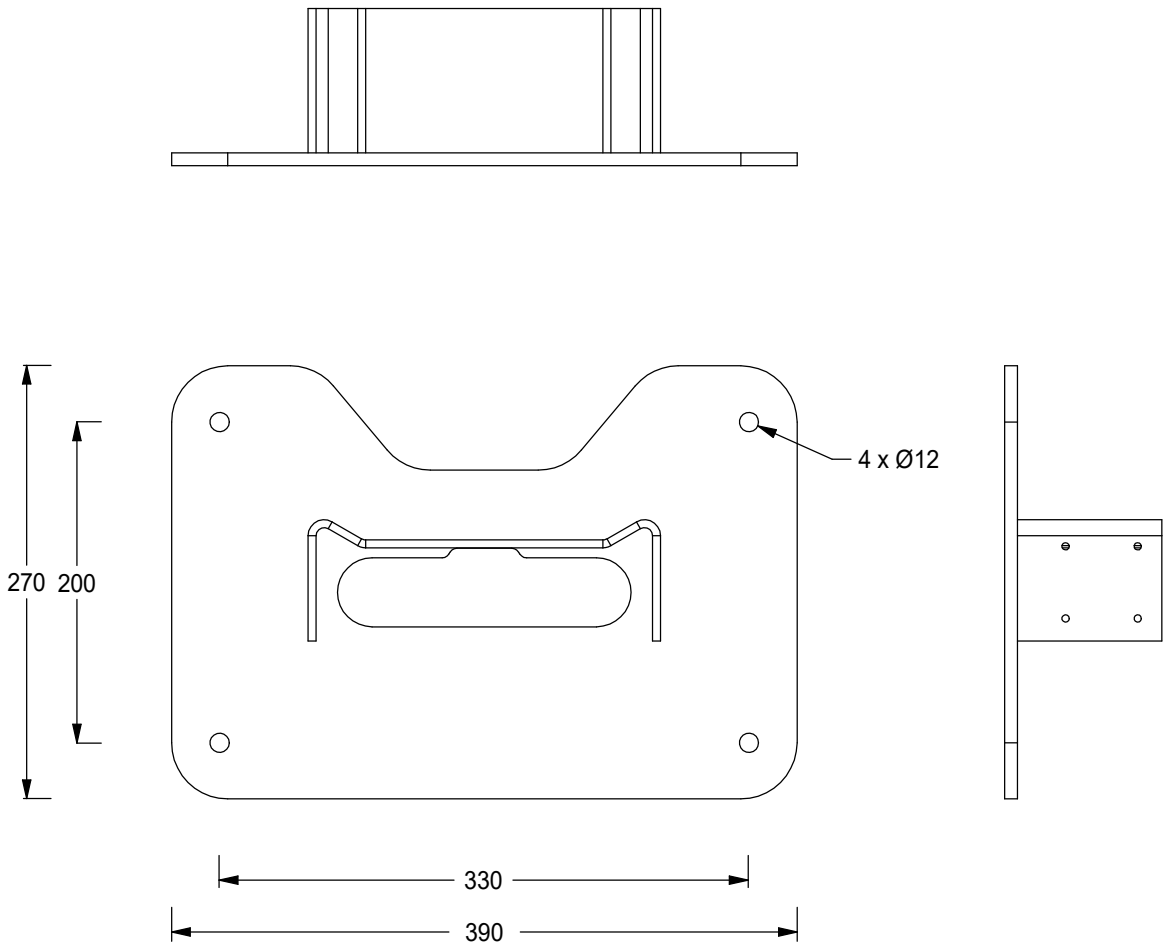
This drawing is property of El-Björn. May not be copied, shown or distributed without our written permission.

ALFA-II 32///(4)-4 EN F



RITAD AV/DRAWN BY CG	DATUM/DATE 190411	NEXT SHEET 2	SHEET 1
SIGN	REVISION/ISSUE A*	RITINGS NR./DRAWING EB14233	

A B C D E F G H J K



ARTIKELNR /
ARTICLE NO.
EB14233

MÄRKSTRÖM /
CURRENT RATING
32 A

SPÄNNING /
VOLTAGE
400 V

MEASURING
EQUIPMENT
CURR-
TRAFO-
SPACE ENERGY-
METER-
SPACE

FAST ANSLUTNING /
FIXED CONNECTIONS
<125A >125A

CEE-OUTLETS
3-POLE
16A 32A 63A 125A
4

SCHUKO OUTLETS
16A

CEE-OUTLETS
4-POLE
16A 32A 63A 125A

CEE-OUTLETS
5-POLE/400V
16A 32A 63A 125A

JFB/RCD/RCBO
0,01A 0,03A 0,1A
4

JFB/RCD/RCBO
0,3A 0,5A Variable

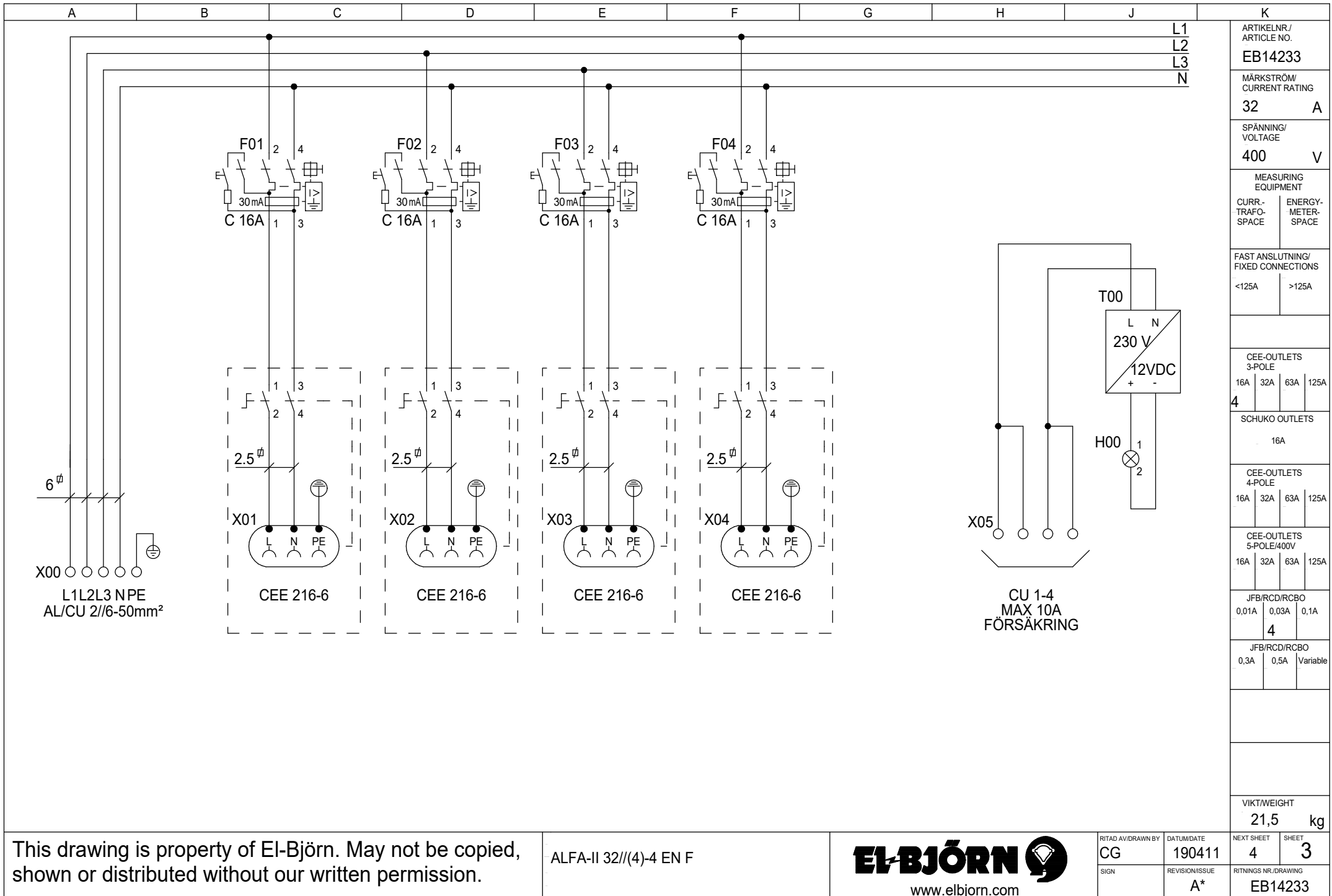
VIKT/WEIGHT
21,5 kg

This drawing is property of El-Björn. May not be copied, shown or distributed without our written permission.

ALFA-II 32///(4)-4 EN F



RITAD AV/DRAWN BY CG	DATUM/DATE 190411	NEXT SHEET 3	SHEET 2
SIGN	REVISION/ISSUE A*	RITINGS NR./DRAWING EB14233	



ARTIKELNR / ARTICLE NO. EB14233			
MÄRKSTRÖM / CURRENT RATING 32	A		
SPÄNNING / VOLTAGE 400	V		
MEASURING EQUIPMENT			
CURR- TRAFO- SPACE	ENERGY- METER- SPACE		
FAST ANSLUTNING/ FIXED CONNECTIONS			
<125A	>125A		
CEE-OUTLETS 3-POLE			
16A	32A	63A	125A
4			
SCHUKO OUTLETS		16A	
CEE-OUTLETS 4-POLE		16A 32A 63A 125A	
CEE-OUTLETS 5-POLE/400V		16A 32A 63A 125A	
JFB/RCD/RCBO 0,01A	0,03A	0,1A	
4			
JFB/RCD/RCBO 0,3A	0,5A	Variable	
VIKT/WEIGHT 21,5 kg			

This drawing is property of El-Björn. May not be copied, shown or distributed without our written permission.

ALFA-II 32//4-4 EN F



RITAD AV/DRAWN BY CG	DATUM/DATE 190411	NEXT SHEET 4	SHEET 3
SIGN	REVISION/ISSUE A*	RITINGS NR./DRAWING EB14233	

