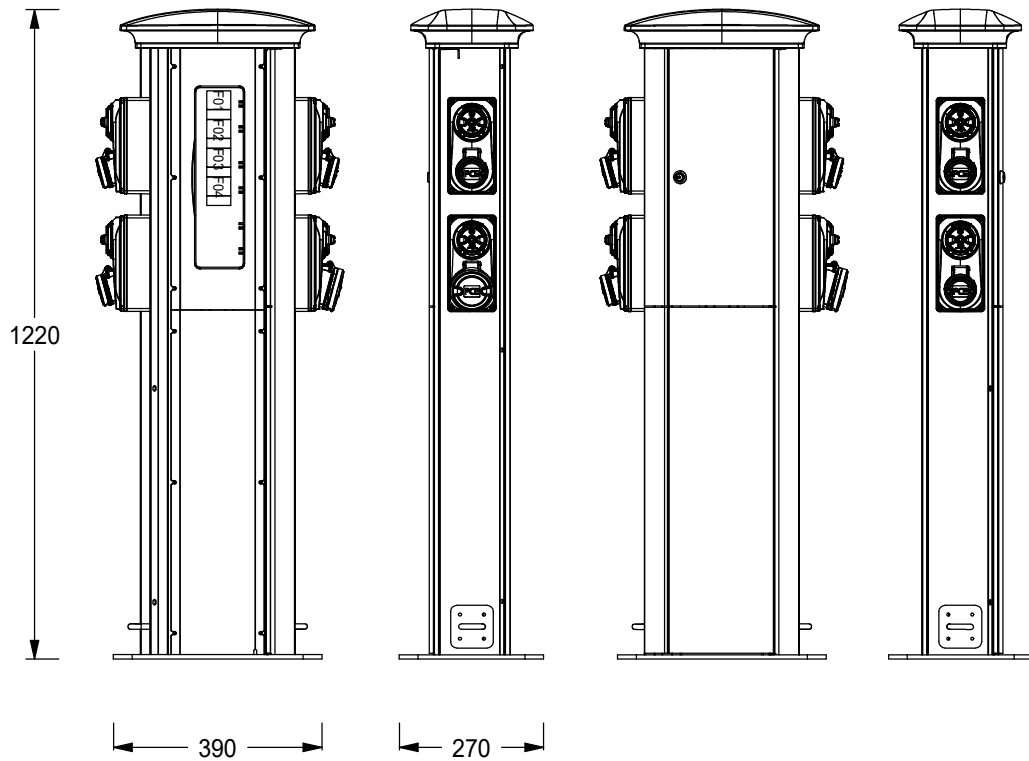


A B C D E F G H J K



ARTIKELNR /
ARTICLE NO.
EB14237

MÄRKSTRÖM /
CURRENT RATING
32 **A**

SPÄNNING /
VOLTAGE
400 **V**

MEASURING
EQUIPMENT
CURR-
TRAFO-
SPACE ENERGY-
METER-
SPACE

FAST ANSLUTNING /
FIXED CONNECTIONS
<125A >125A

CEE-OUTLETS
3-POLE
16A 32A 63A 125A
4

SCHUKO OUTLETS
16A

CEE-OUTLETS
4-POLE
16A 32A 63A 125A

CEE-OUTLETS
5-POLE/400V
16A 32A 63A 125A

JFB/RCD/RCBO
0,01A 0,03A 0,1A
4

JFB/RCD/RCBO
0,3A 0,5A Variable

VIKT/WEIGHT
21,5 **kg**

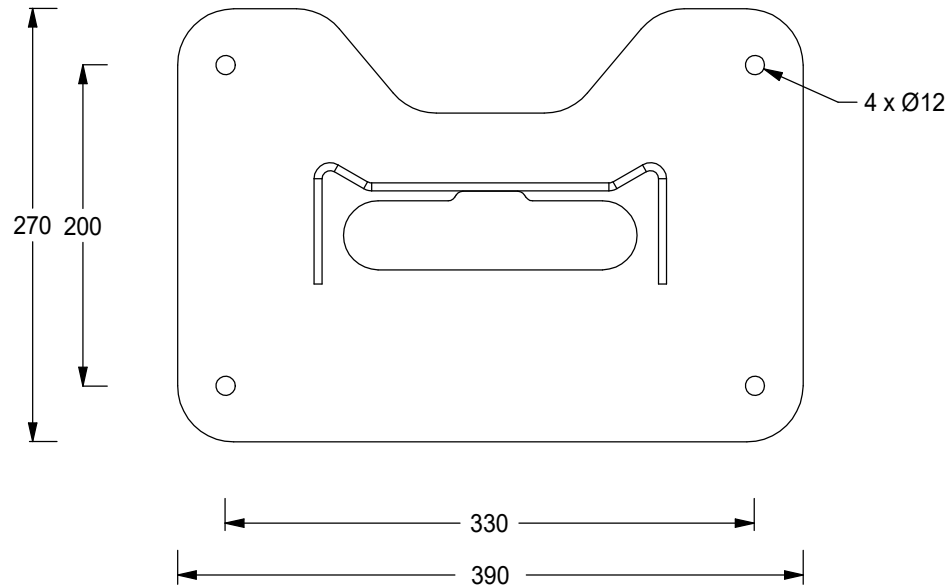
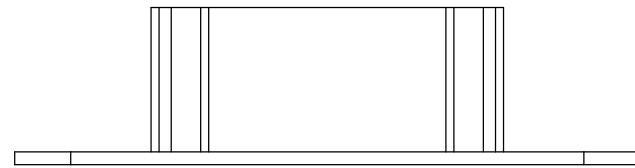
This drawing is property of El-Björn. May not be copied, shown or distributed without our written permission.

ALFA-II 32///(4)-4 EN FZ



RITAD AV/DRAWN BY CG	DATUM/DATE 190411	NEXT SHEET 2	SHEET 1
SIGN	REVISION/ISSUE A*	RITNING NR./DRAWING EB14237	

A B C D E F G H J K



ARTIKELNR /
ARTICLE NO.
EB14237

MÄRKSTRÖM /
CURRENT RATING
32 A

SPÄNNING /
VOLTAGE
400 V

MEASURING
EQUIPMENT
CURR-
TRAFO-
SPACE ENERGY-
METER-
SPACE

FAST ANSLUTNING /
FIXED CONNECTIONS
<125A >125A

CEE-OUTLETS
3-POLE
16A 32A 63A 125A
4

SCHUKO OUTLETS
16A

CEE-OUTLETS
4-POLE
16A 32A 63A 125A

CEE-OUTLETS
5-POLE/400V
16A 32A 63A 125A

JFB/RCD/RCBO
0,01A 0,03A 0,1A
4

JFB/RCD/RCBO
0,3A 0,5A Variable

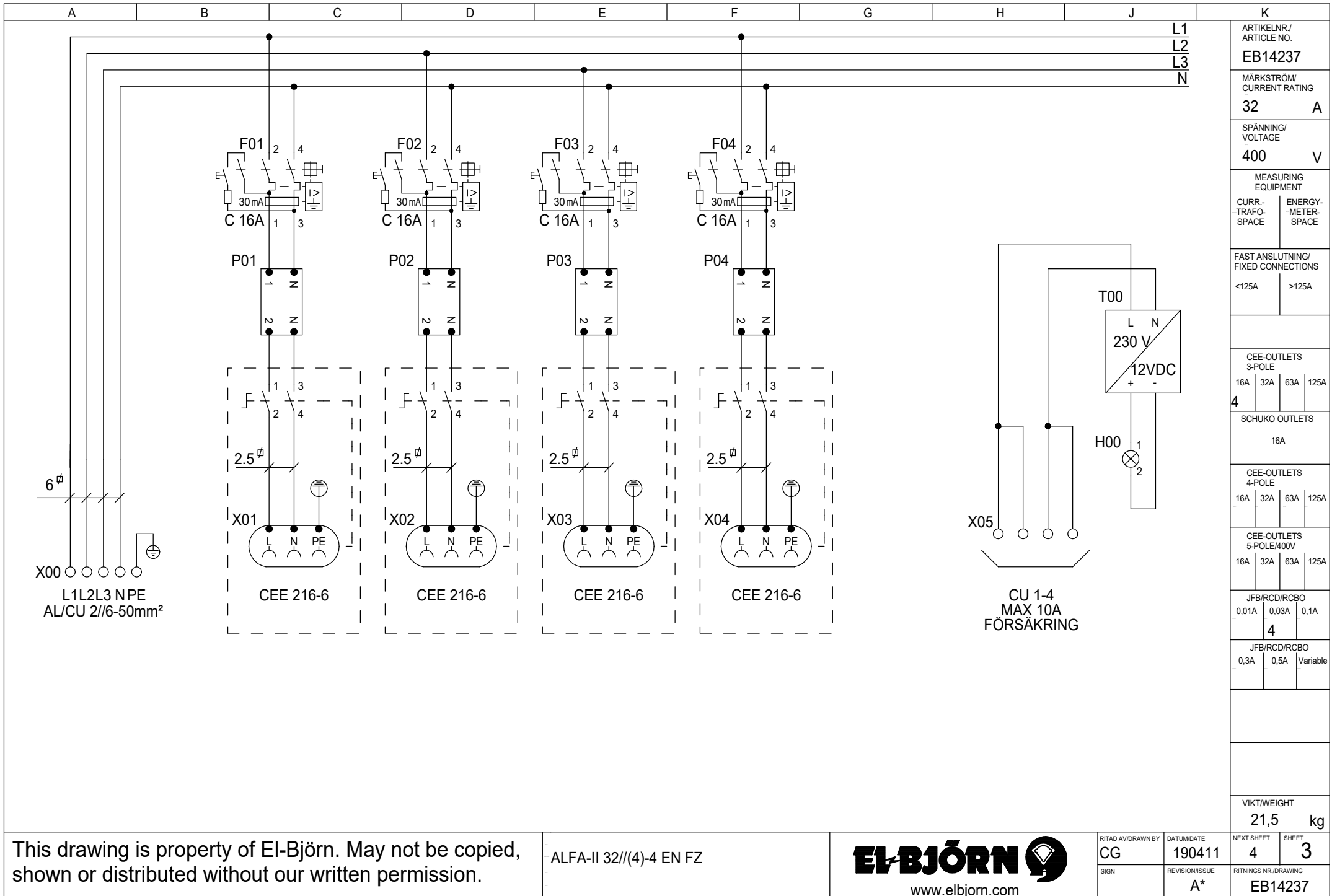
VIKT/WEIGHT
21,5 kg

This drawing is property of El-Björn. May not be copied, shown or distributed without our written permission.

ALFA-II 32//(4)-4 EN FZ



RITAD AV/DRAWN BY CG	DATUM/DATE 190411	NEXT SHEET 3	SHEET 2
SIGN	REVISION/ISSUE A*	RITNING NR./DRAWING EB14237	



L1
L2
L3
N

ARTIKELNR / ARTICLE NO. EB14237	
MÄRKSTRÖM / CURRENT RATING 32	A
SPÄNNING / VOLTAGE 400	V
MEASURING EQUIPMENT	
CURR- TRAF0- SPACE	ENERGY- METER- SPACE
FAST ANSLUTNING/ FIXED CONNECTIONS <125A	>125A
CEE-OUTLETS 3-POLE	
16A	32A 63A 125A
4	
SCHUKO OUTLETS 16A	
CEE-OUTLETS 4-POLE	
16A	32A 63A 125A
CEE-OUTLETS 5-POLE/400V	
16A	32A 63A 125A
JFB/RCD/RCBO 0,01A	0,03A 0,1A
4	
JFB/RCD/RCBO 0,3A	0,5A Variable
VIKT/WEIGHT 21,5 kg	

This drawing is property of El-Björn. May not be copied, shown or distributed without our written permission.

ALFA-II 32//4-4 EN FZ



RITAD AV/DRAWN BY CG	DATUM/DATE 190411	NEXT SHEET 4	SHEET 3
SIGN	REVISION/ISSUE A*	RITINGS NR./DRAWING EB14237	

A	B	C	D	E	F	G	H	J	K
PC.	Position	Description	Type	Manufacturer	Data	Article No.	E-number(SE)		ARTIKELNR/ ARTICLE NO. EB14237
1	.	Stolpe	Standard 18mod, F	EI-Björn AB	IP44	H23419			MÄRKSTRÖM/ CURRENT RATING 32 A
4	F01-F04	RCBO	PKPM2	Eaton	C 16A, 30mA	65884	2162432		SPÄNNING/ VOLTAGE 400 V
1	H00	LED Strip	AL-IEP2-NW	Agolux	4000-4500 Kelvin	2490353			MEASURING EQUIPMENT CURR- TRAFO- SPACE ENERGY- METER- SPACE
4	P01-P04	Energimätare	EM111-DIN	Carlo Gavazzi	45A, 230V, 50Hz, Pu	EM111DINAV81X01	01101		FAST ANSLUTNING/ FIXED CONNECTIONS <125A >125A
1	T00	LED Driver	SLT15-12VF-2	Agolux	12V DC, 1,25A, 15W	SLT15-12VF-2			CEE-OUTLETS 3-POLE 16A 32A 63A 125A 4
3	X00	Universalklämma	KE 66	Ensto	AL/CU 2//6-50mm ²	KE 66	2673561		SCHUKO OUTLETS 16A
1		Universalklämma	KE 66.2	Ensto	AL/CU 2//6-50mm ²	KE 66.2	2673562		CEE-OUTLETS 4-POLE 16A 32A 63A 125A
1		Universalklämma	KE 66.3	Ensto	AL/CU 2//6-50mm ²	KE 66.3	2673563		CEE-OUTLETS 5-POLE/400V 16A 32A 63A 125A
4	X01-X04	Förreglatuttag	216-6	PC Electric	16A, 230V, IP44	6013-6			JFB/RCD/RCBO 0,01A 0,03A 0,1A 4
2	X05	Radplint	NSYTRV42	Schneider Electric	4mm ² , Grå	NSYTRV42	2916254		JFB/RCD/RCBO 0,3A 0,5A Variable
2		Radplint	NSYTRV42BL	Schneider Electric	4mm ² , Blå	NSYTRV42BL	2916255		
1		Radplint	NSYTRV42PE	Schneider Electric	4mm ² , Gul/Grön	NSYTRV42PE	2916257		
									VIKT/WEIGHT 21,5 kg

This drawing is property of EI-Björn. May not be copied, shown or distributed without our written permission.

ALFA-II 32//((4)-4 EN FZ



RITAD AV/DRAWN BY
CG

DATUM/DATE
190411

NEXT SHEET
4

SIGN

REVISION/ISSUE
A*

RITINGS NR./DRAWING
EB14237